

DS8/230V/15A

Contents

Stand: 31.03.2017 07:21



DS8

Saug-Dampf Schlauch
Tube aspiration / vapeur
Suction hose with steam hose
B 7 / ST 7

Stoßbügel
Guidon supérieur
Upper pushbar
B 6 / ST 6

Haube
Capot
Tank cover
B 1 / ST 1

Saug-Dampf Schlauch
Tube aspiration / vapeur
Suction hose with steam hose
B 7 / ST 7

Dampfbehälter
Recipient de vapeur
Steam tank
B 3 / ST 3

Elektronik
Electronique
Electronic
B 5 / ST 5

Gehäuse
Caisse recipient
Polyester case
B 2 / ST 2
bis, à des, up to
Masch. no. 9118.000
B 2a / ST 2a
ab, de, from
Masch. no. 9118.001

Saugmotor
Moteur d'aspiration
Suction motor
B 4 / ST 4

Saug-Dampfdüse
Suceur à vapeur
Steam vacuuming nozzle
B 8 / ST 8

Optionales Zubehör
Accessoires Optionales
Optional Accessories
B 9 / ST 9

Stromlaufplan
Diagramme électrique
Wiring diagram
B 10 / ST 10

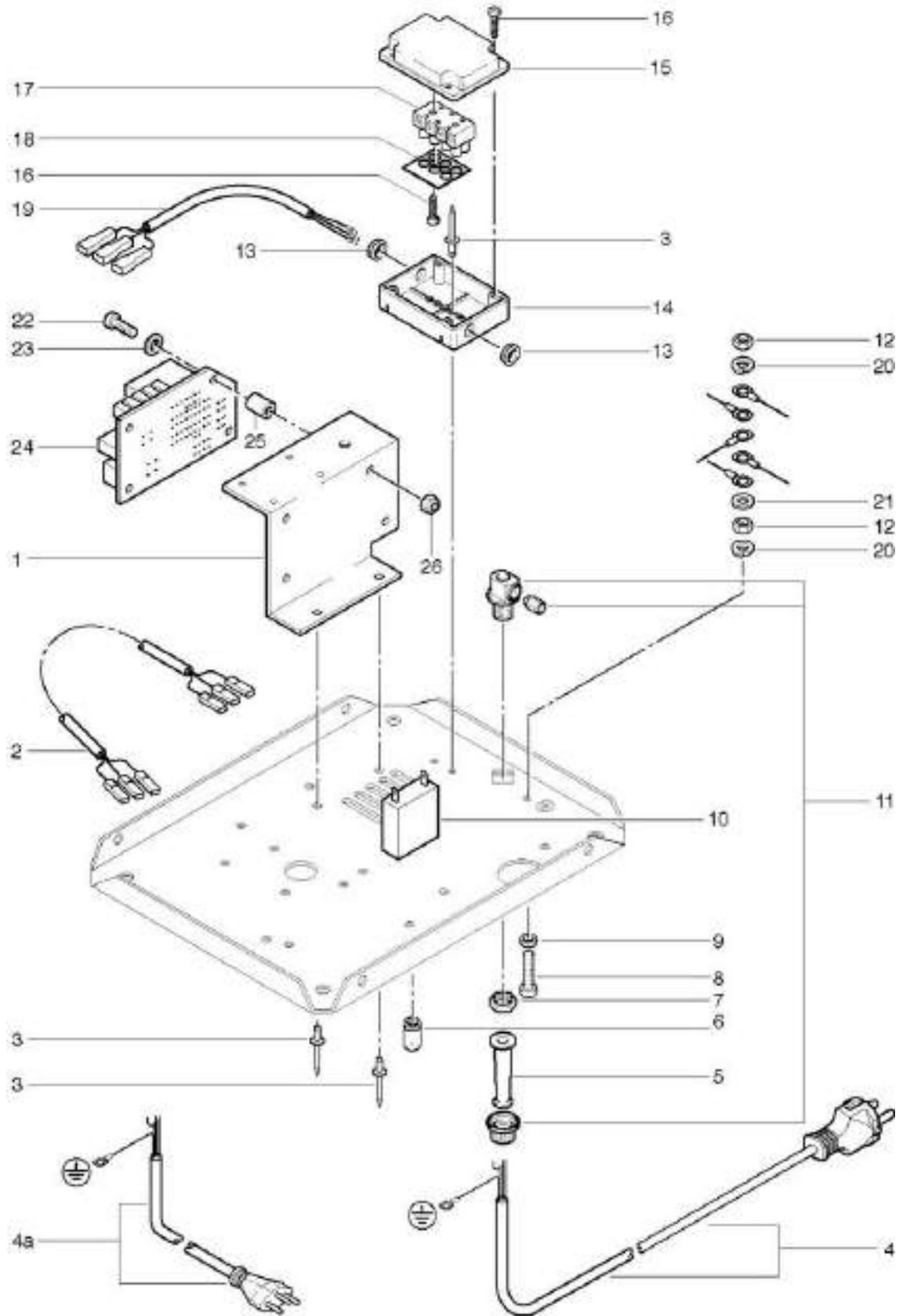
DS8/230V/15A

Electronic

Stand: 31.03.2017 07:23



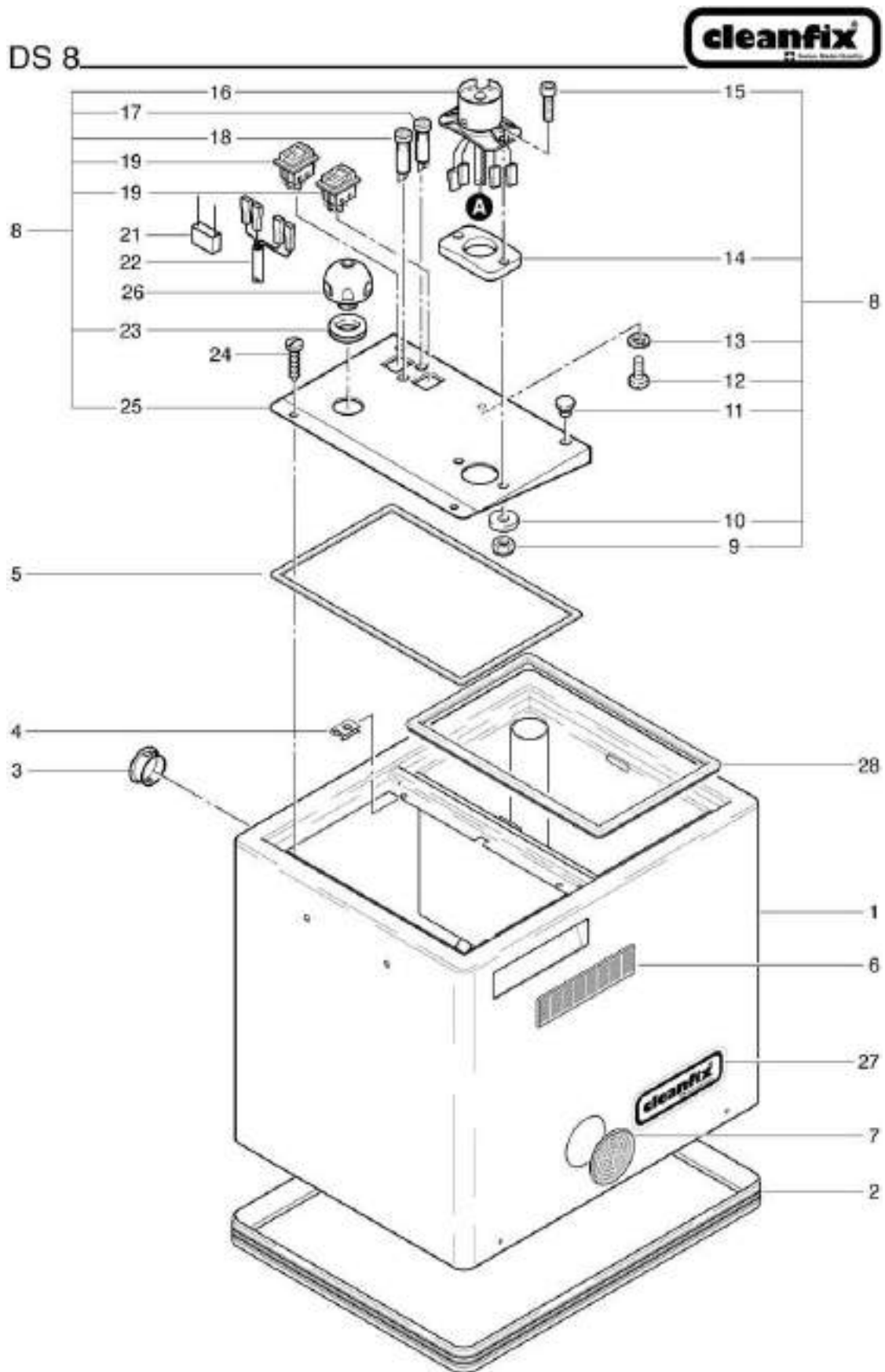
DS 8



DS8/230V/15A

Housing inox from masch.No. 9118.001

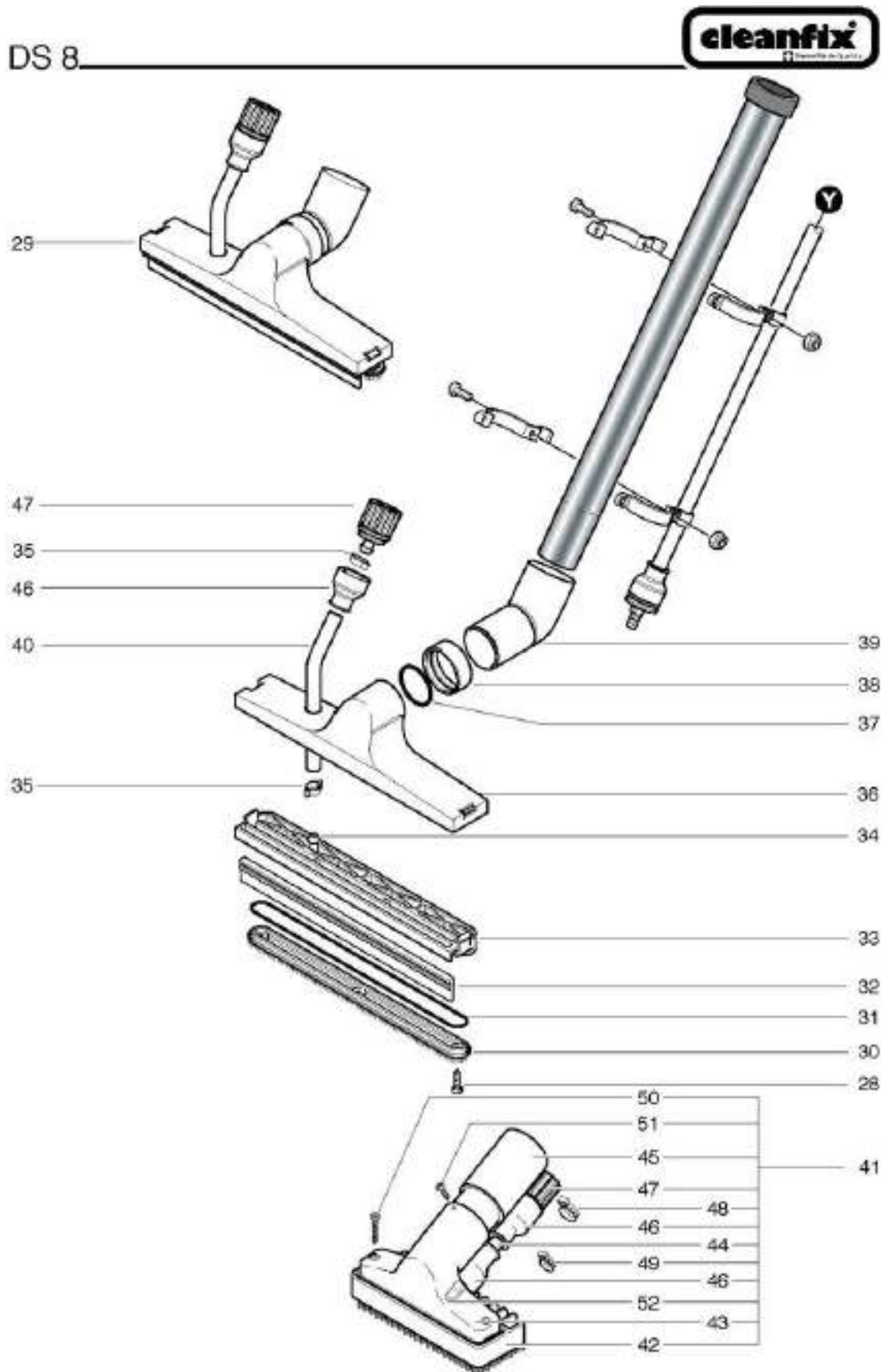
Stand: 31.03.2017 07:22



DS8/230V/15A

Optional Accessoires

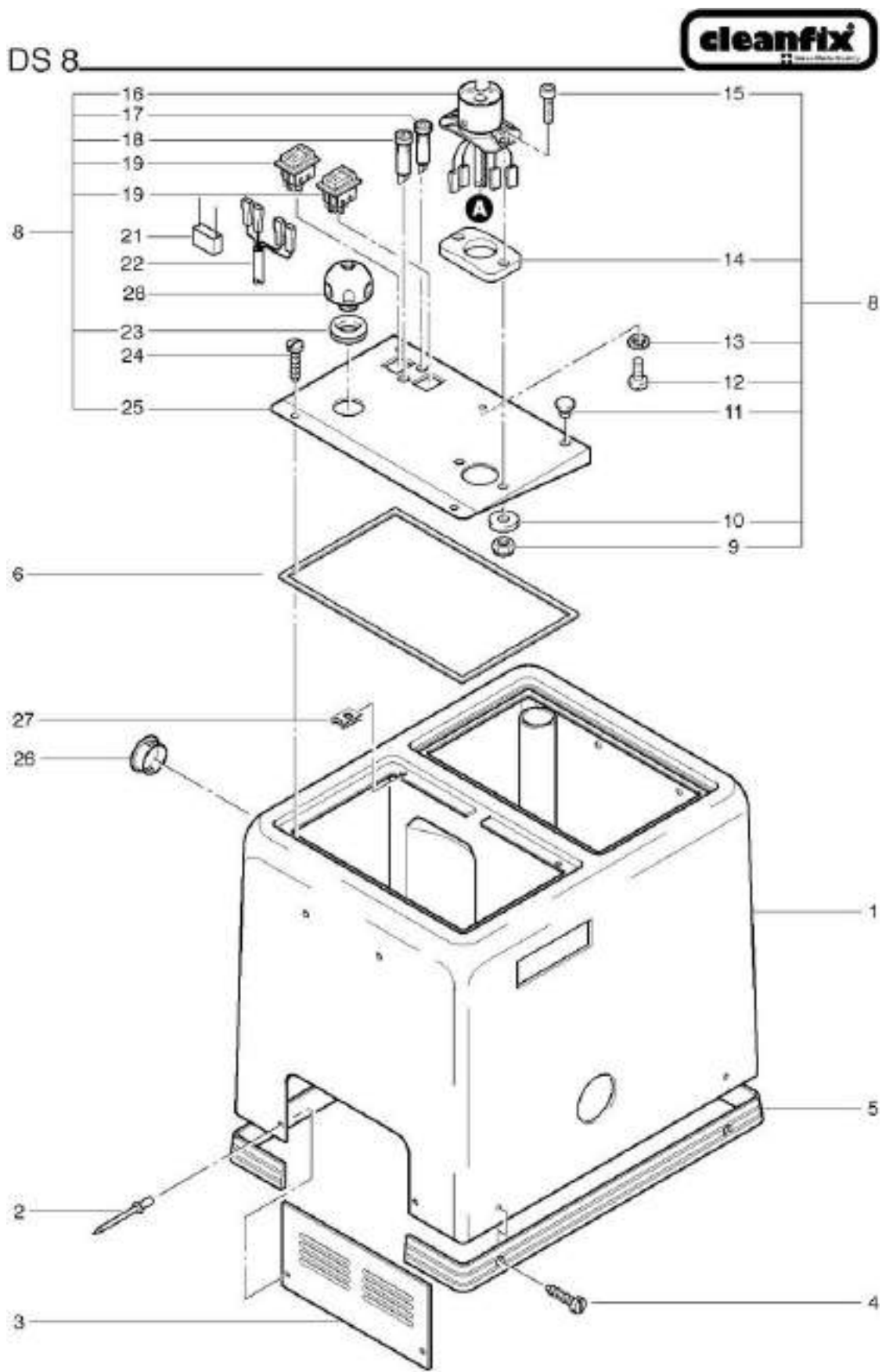
Stand: 31.03.2017 07:23



DS8/230V/15A

Polyester housing up to masch.No. 9118.000

Stand: 31.03.2017 07:22



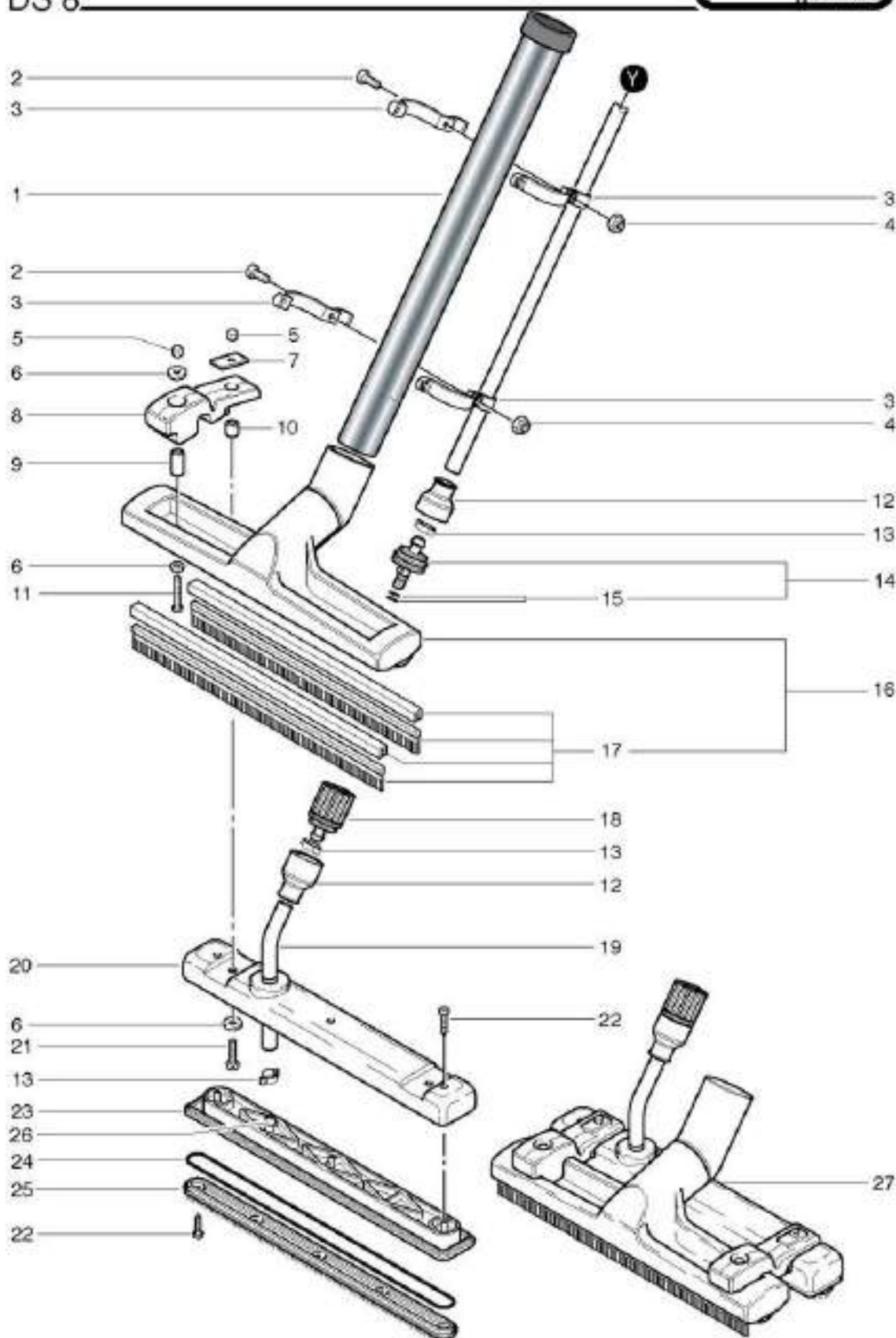
DS8/230V/15A

Saug-Dampfdüse

Stand: 31.03.2017 07:23



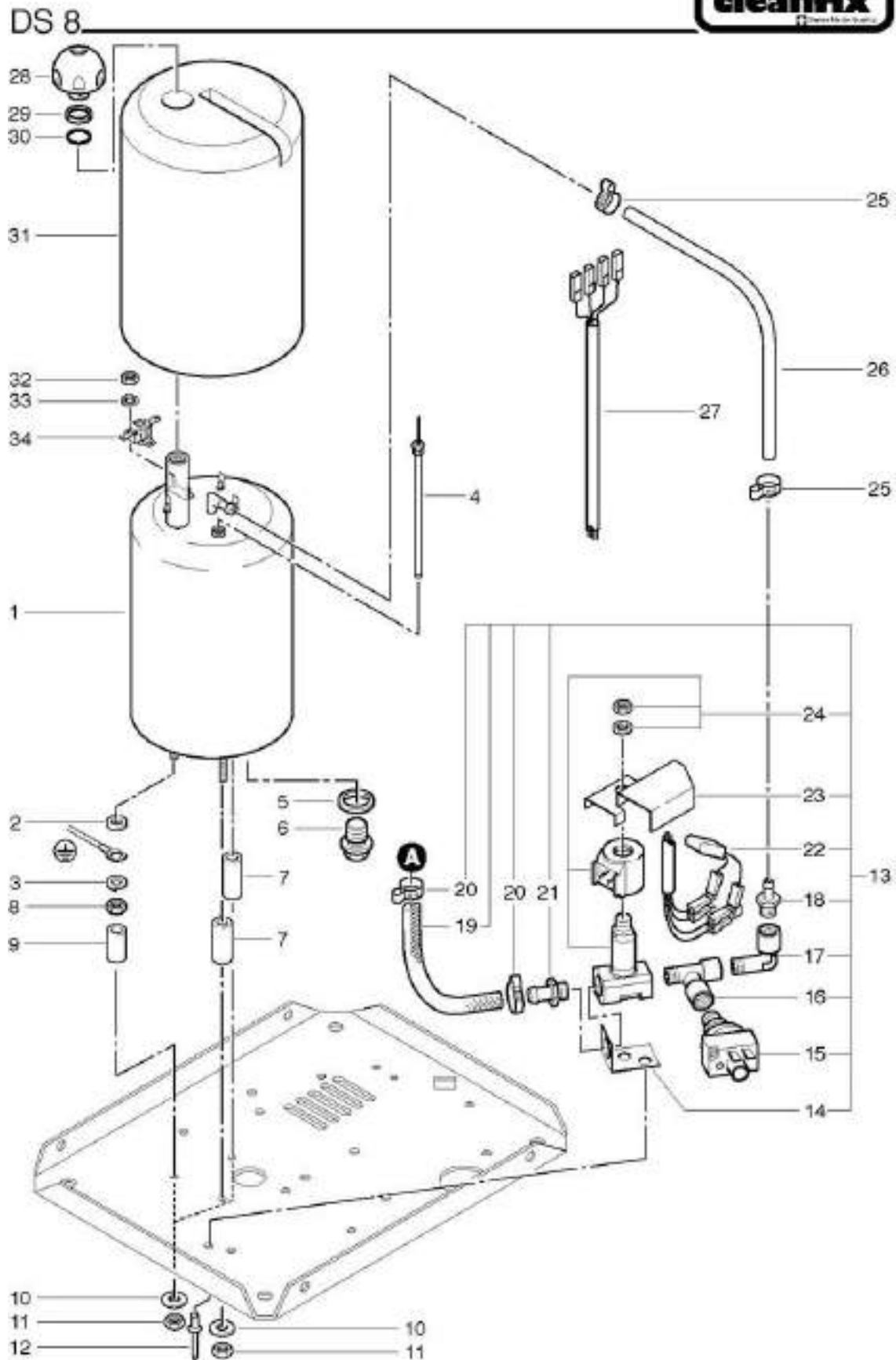
DS 8



DS8/230V/15A

Steam tank

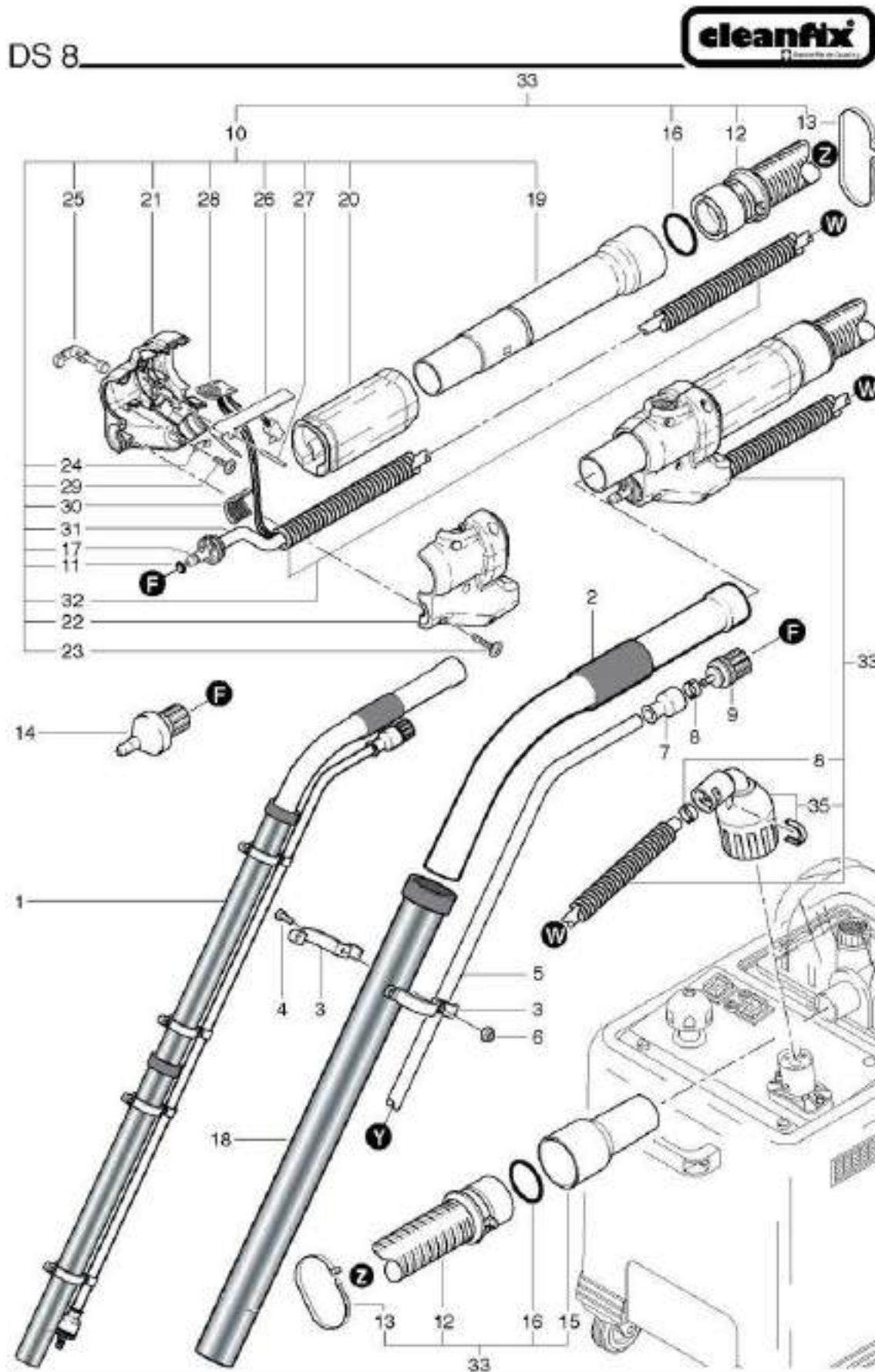
Stand: 31.03.2017 07:22



DS8/230V/15A

Suction hose with steam hose

Stand: 31.03.2017 07:23



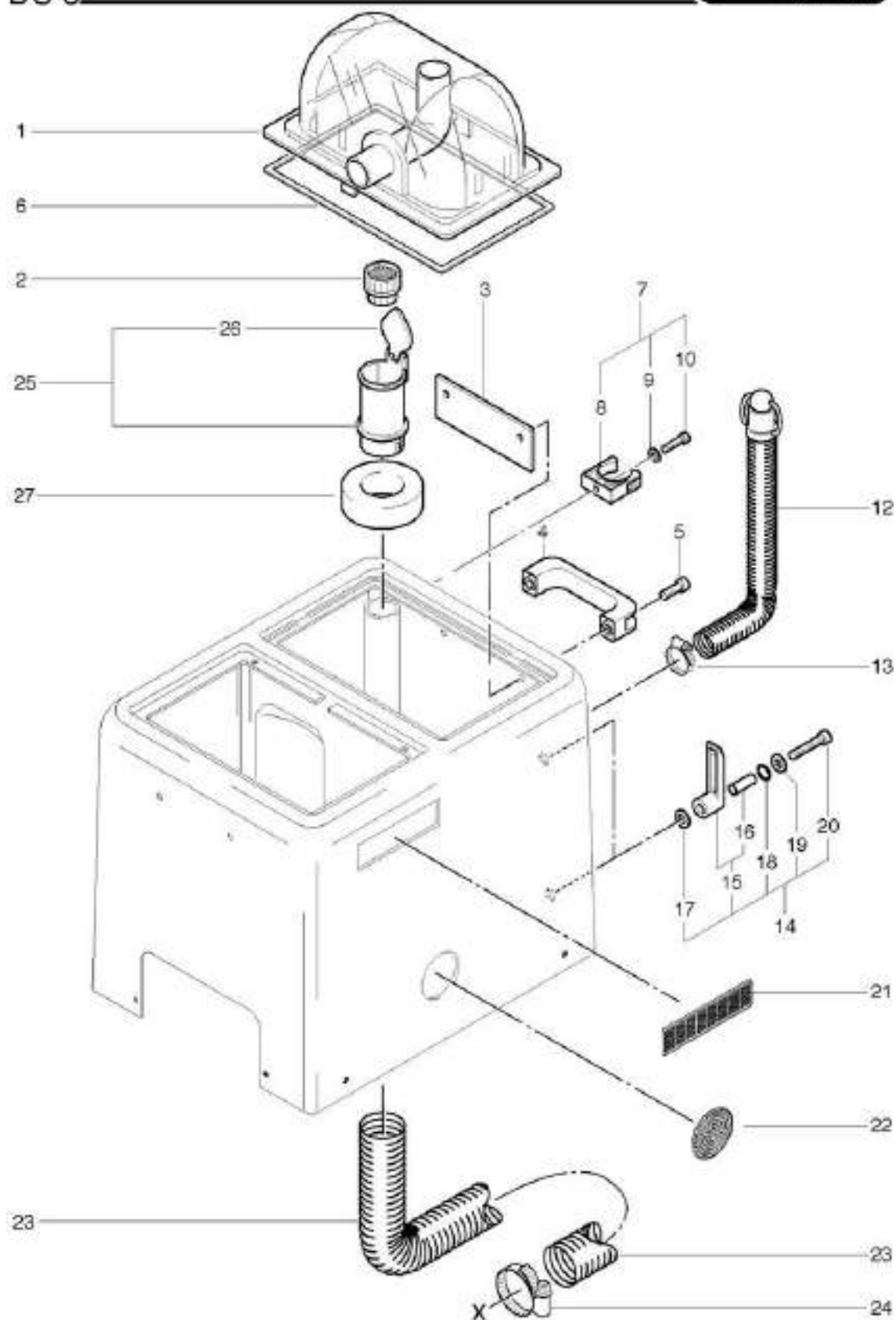
DS8/230V/15A

Tank cover

Stand: 31.03.2017 07:22



DS 8



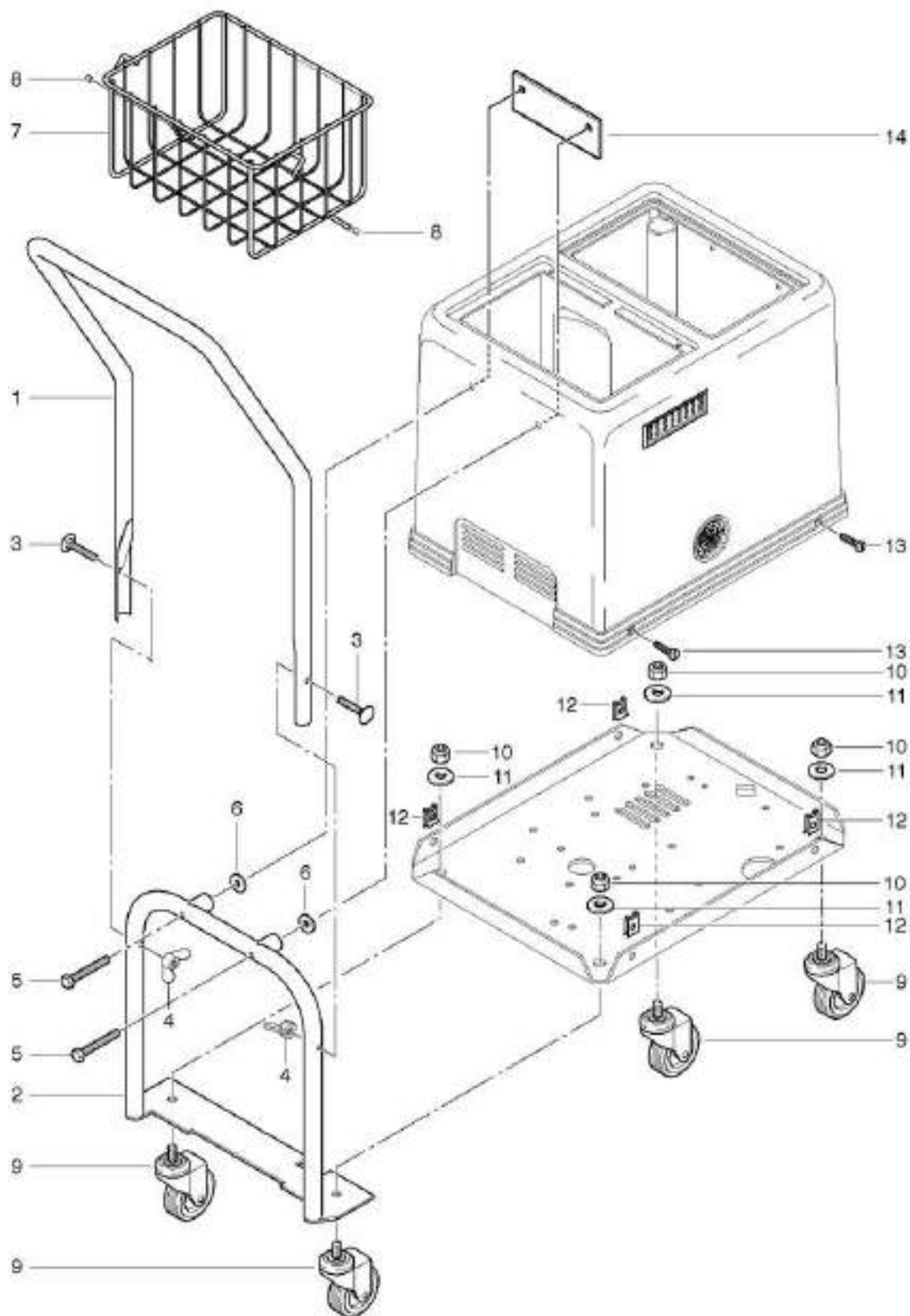
DS8/230V/15A

Upper pushbar

Stand: 31.03.2017 07:23



DS 8

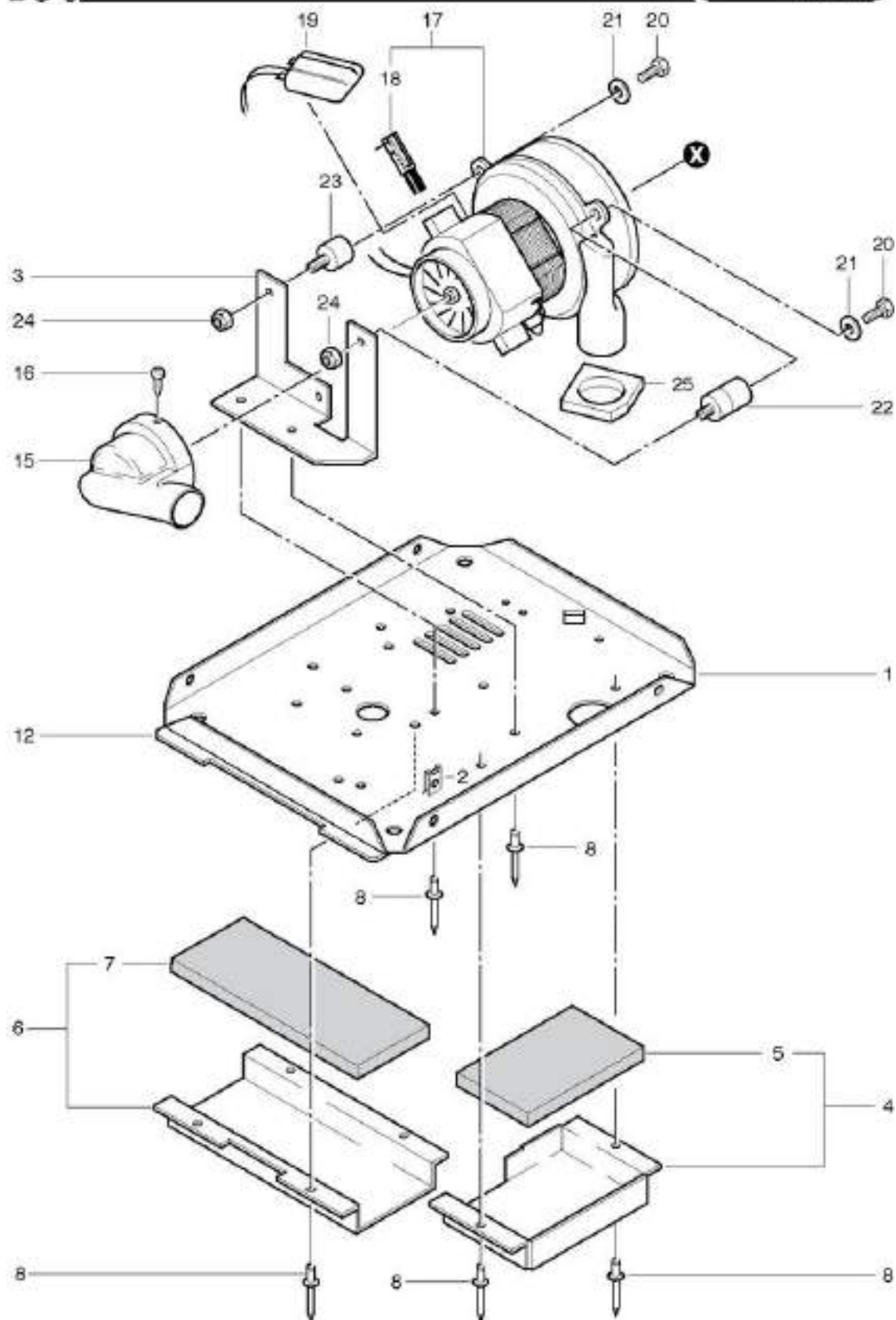


DS8/230V/15A

Vacuum motor

Stand: 31.03.2017 07:22

DS 8



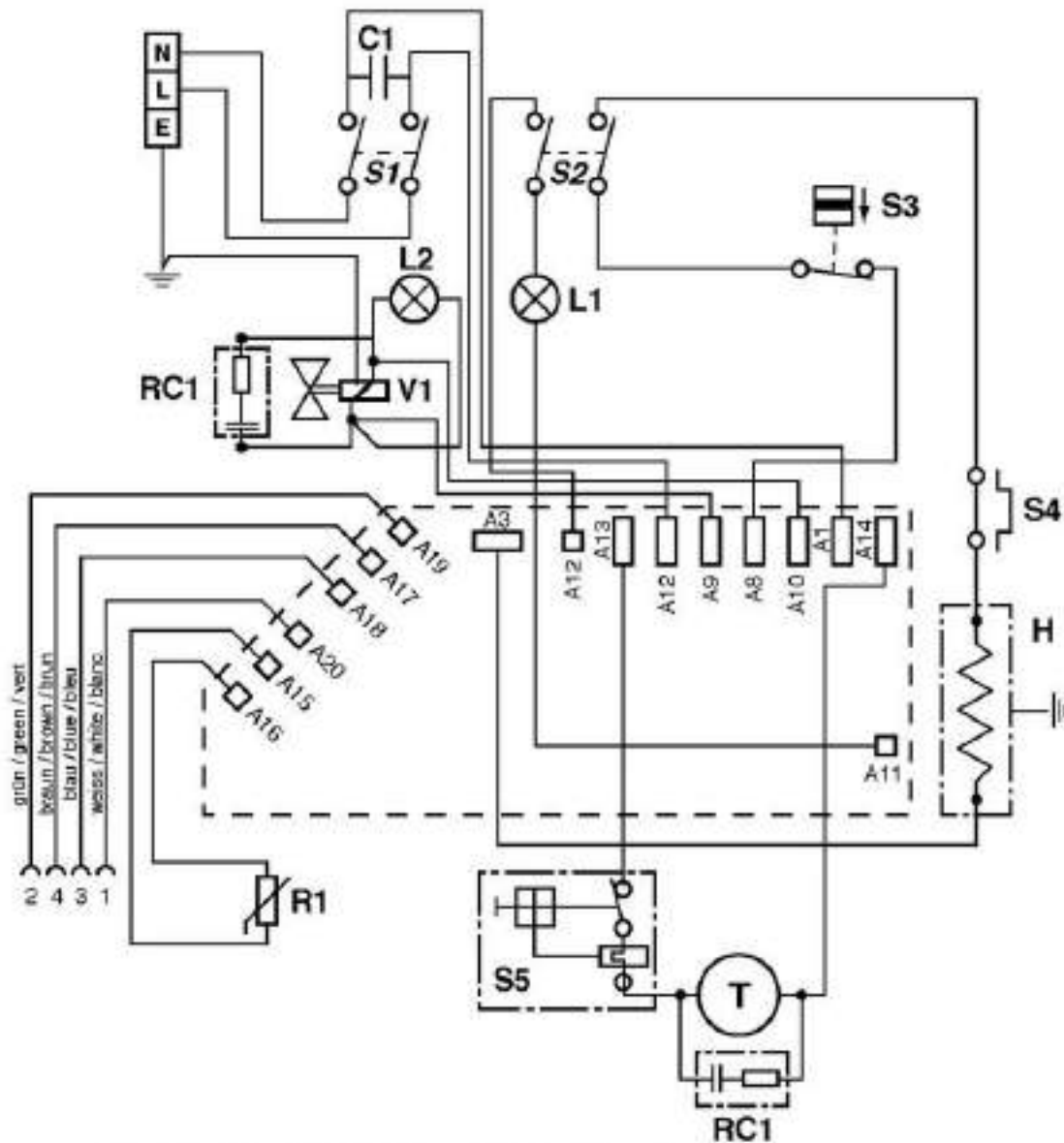
DS8/230V/15A

Wiring diagram 230 V

Stand: 31.03.2017 07:24

DS 8

cleanfix
Hauswerkzeuge



- S1 = Hauptschalter / Main switch / Interrupteur principale
- S2 = Schalter für Heizung / Heater switch / Interrupteur pour chauffage
- S3 = Druckschalter / Pressure switch / Pressostat
- S4 = Thermowächter / Thermostat / Thermostat
- S5 = Motorschutzschalter / Motor protection switch / Disjoncteur
- C1 = Entstörkondensator 0,47 μ F / Capacitor 0,47 μ F / Condensator 0,47 μ F
- RC1 = RC-Glied 0,1 μ F - 1 / Resistance-capacitance 0,1 μ F - 1 / Resistance-condensateur 0,1 μ F - 1
- R1 = NTC-Widerstand / NTC resistor / Resistance-capacitance
- V1 = Magnetventil / Magnetic valve / Valve magnetique
- H = Heizung / Heating / Chauffage
- T = Saugmotor / Vacuum motor / Moteur d'aspiration
- L1 = Signallampe rot / Signalling lamp red / Lampe de signalement rouge
- L2 = Signallampe grün / Signalling lamp green / Lampe de signalement verte