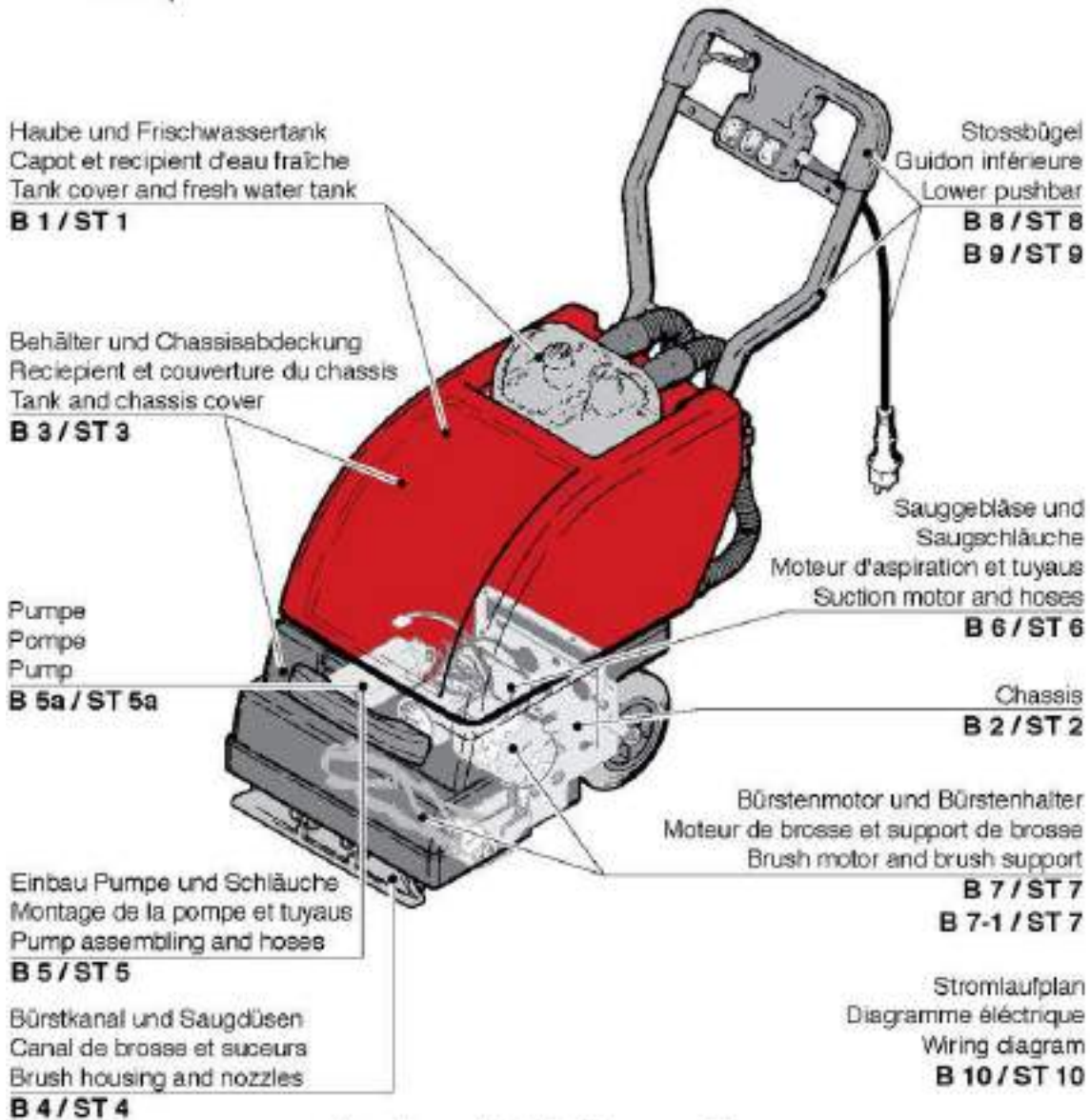


TW Compact

Contents

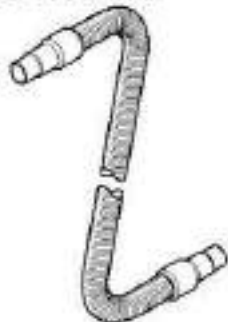
Stand: 31.03.2017 06:42

TW Compact



Sonderzubehör / Accessoires

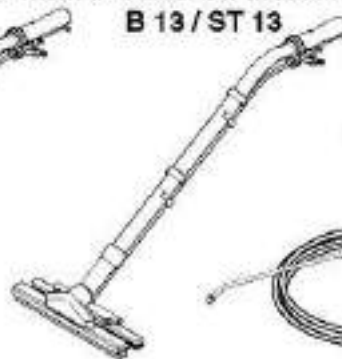
Saug-Sprühschlauch
Tuyau d'asp. et pression
Spray and suction hose
B 11 / ST 11



Teppichadapter 2 Düsen
Adapteur tapis, 2-gicleur
Carpet adaptor, 2-nozzles
B 12 / ST 12



Hartbodenadapter
Adapteur pour les sols durs
Hard floor attachment
B 13 / ST 13



Polsteradapter
Adapleur pour ameublements
Upholstery tool
B 14 / ST 14



Vorsprühlanze mit Schlauch
Lance d'inject avec tuyau
Spray nozzle with hose
B 15 / ST15



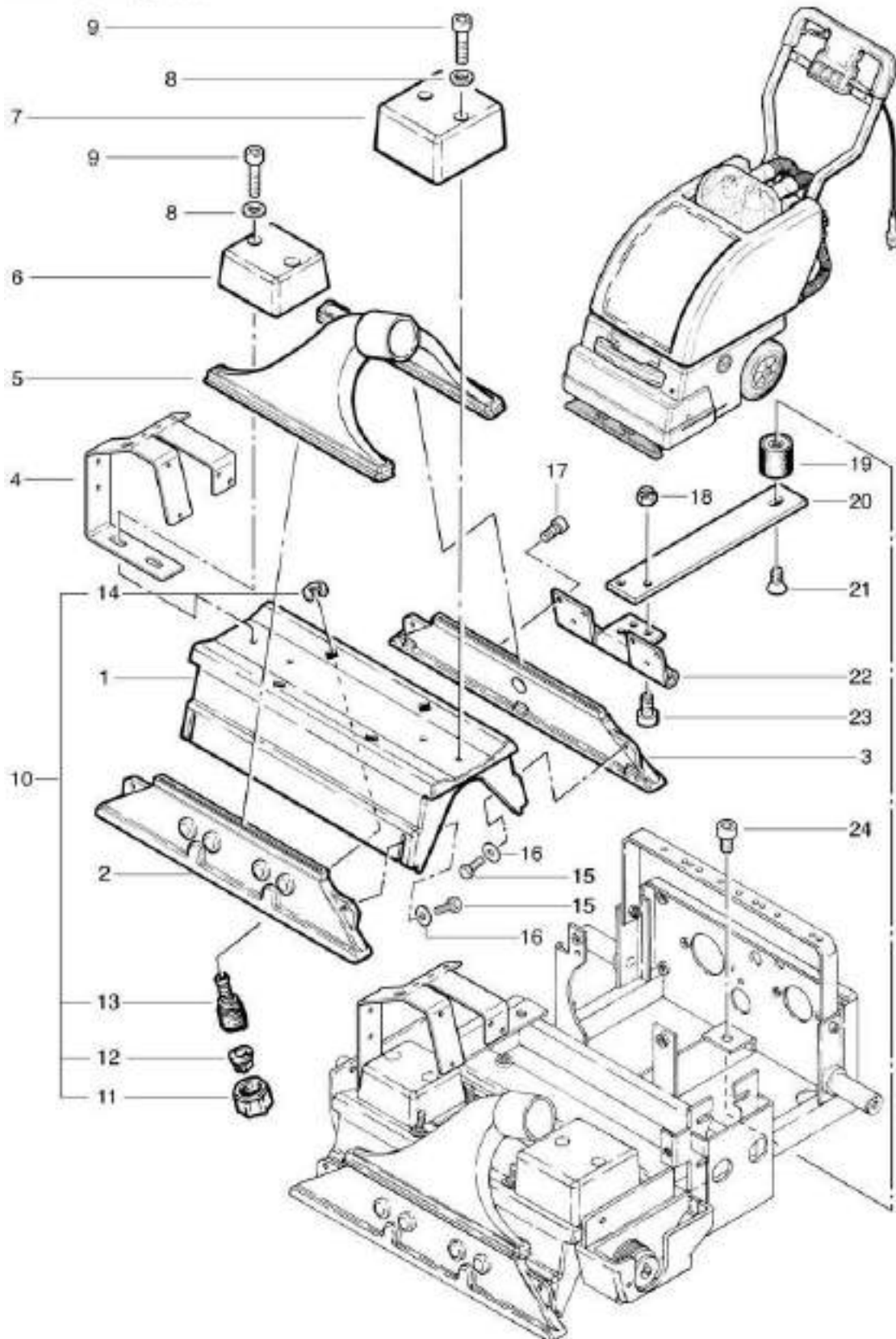
TW Compact

Brush housing and nozzles

Stand: 31.03.2017 06:43



TW Compact



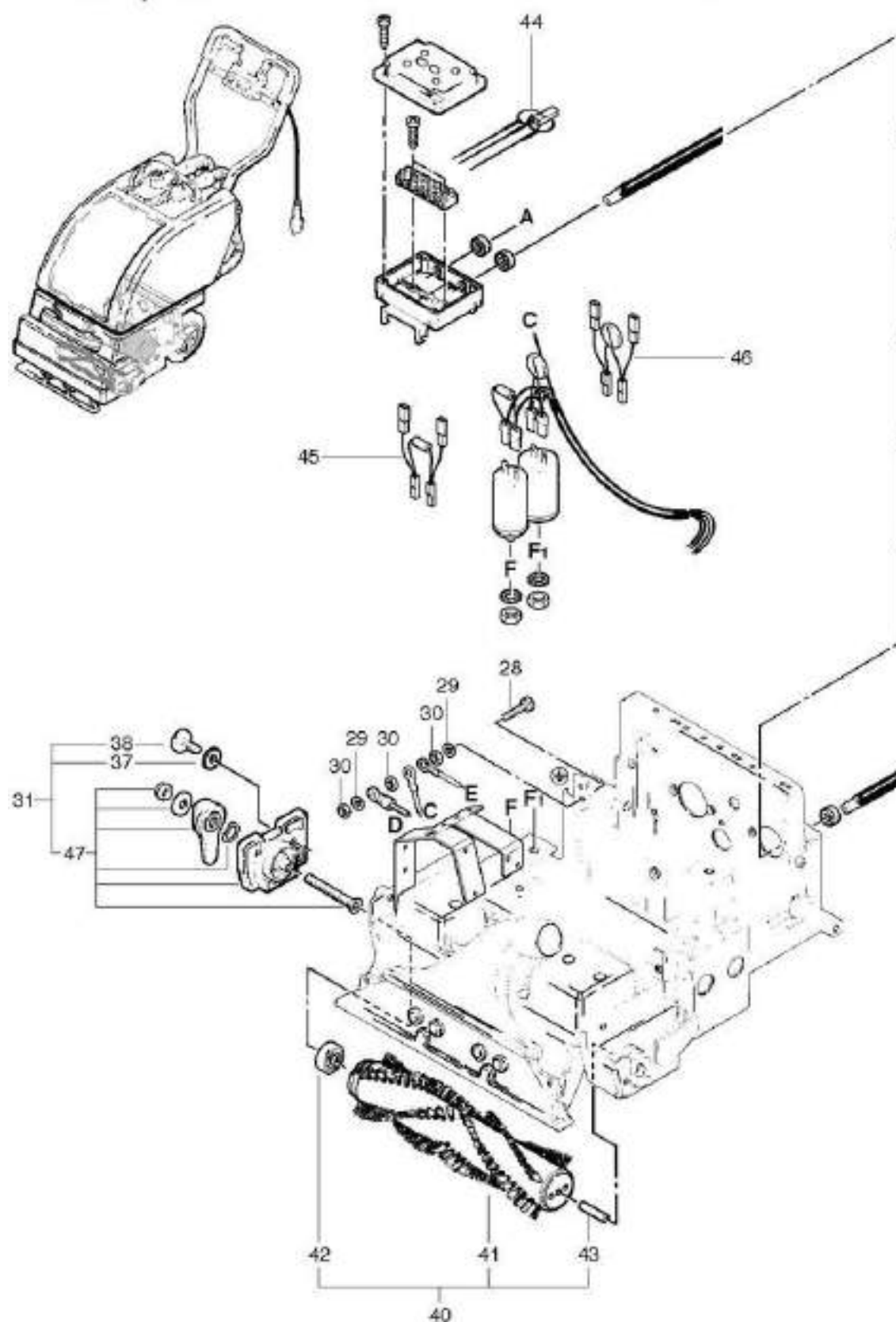
TW Compact

Brush motor and brush support

Stand: 31.03.2017 06:44



TW Compact



TW Compact - Bürstenmotor und Bürstenhalter / Moteur de brosses et support de brosses
Brush motor and brush support

B 7-1-04.2016

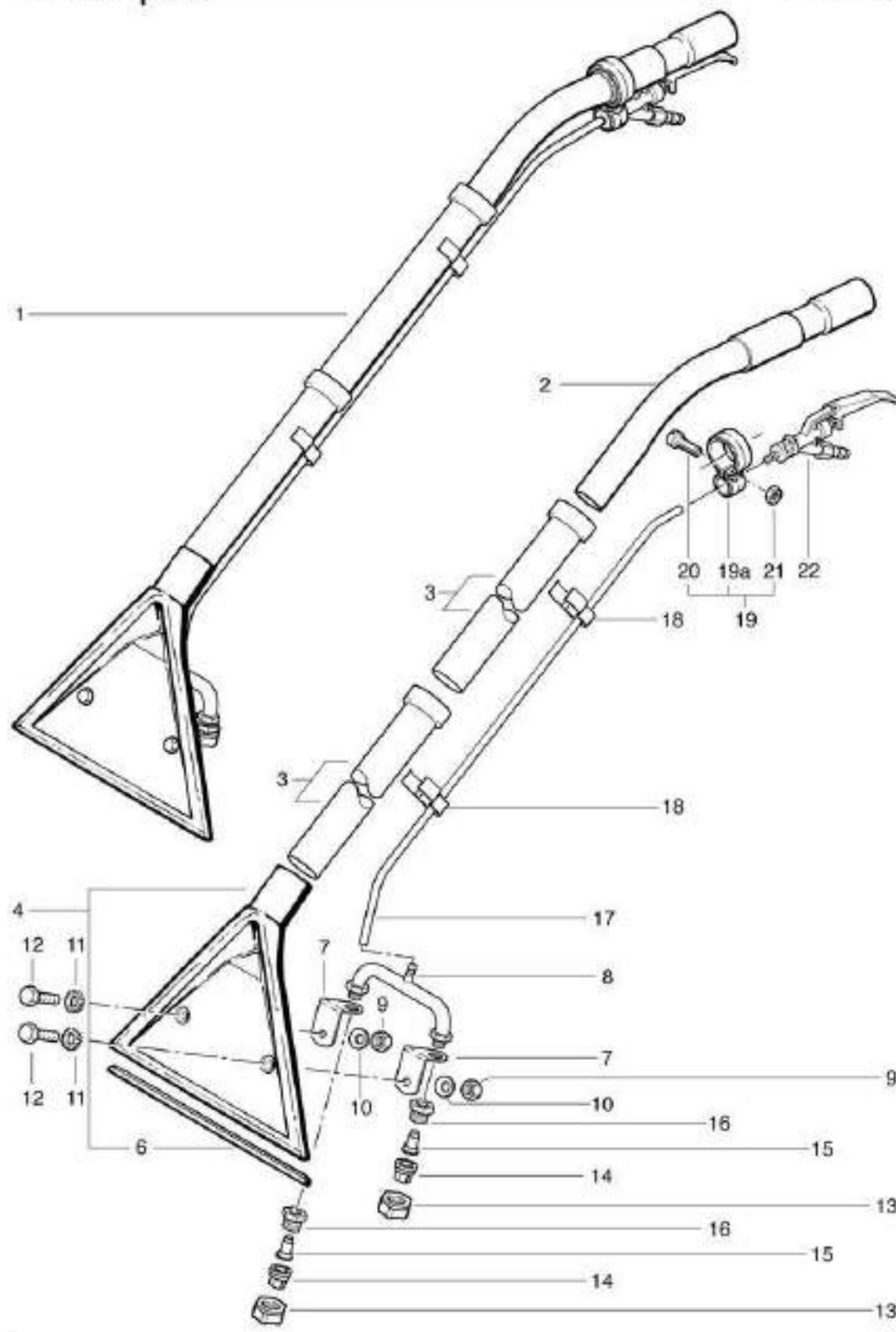
TW Compact

Carpet tool, 2-nozzles

Stand: 31.03.2017 06:49



TW Compact



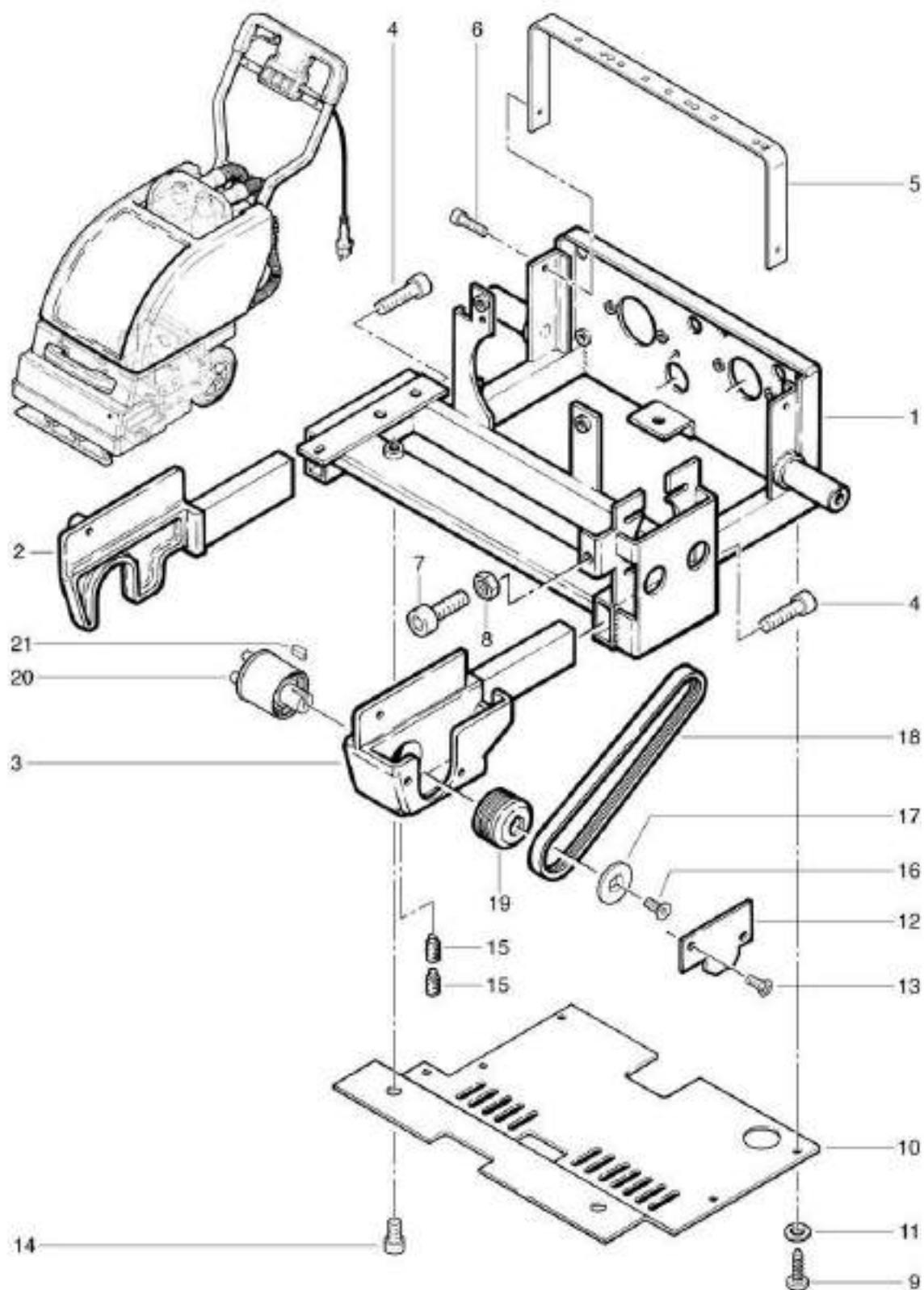
TW Compact

Chassis

Stand: 31.03.2017 06:42



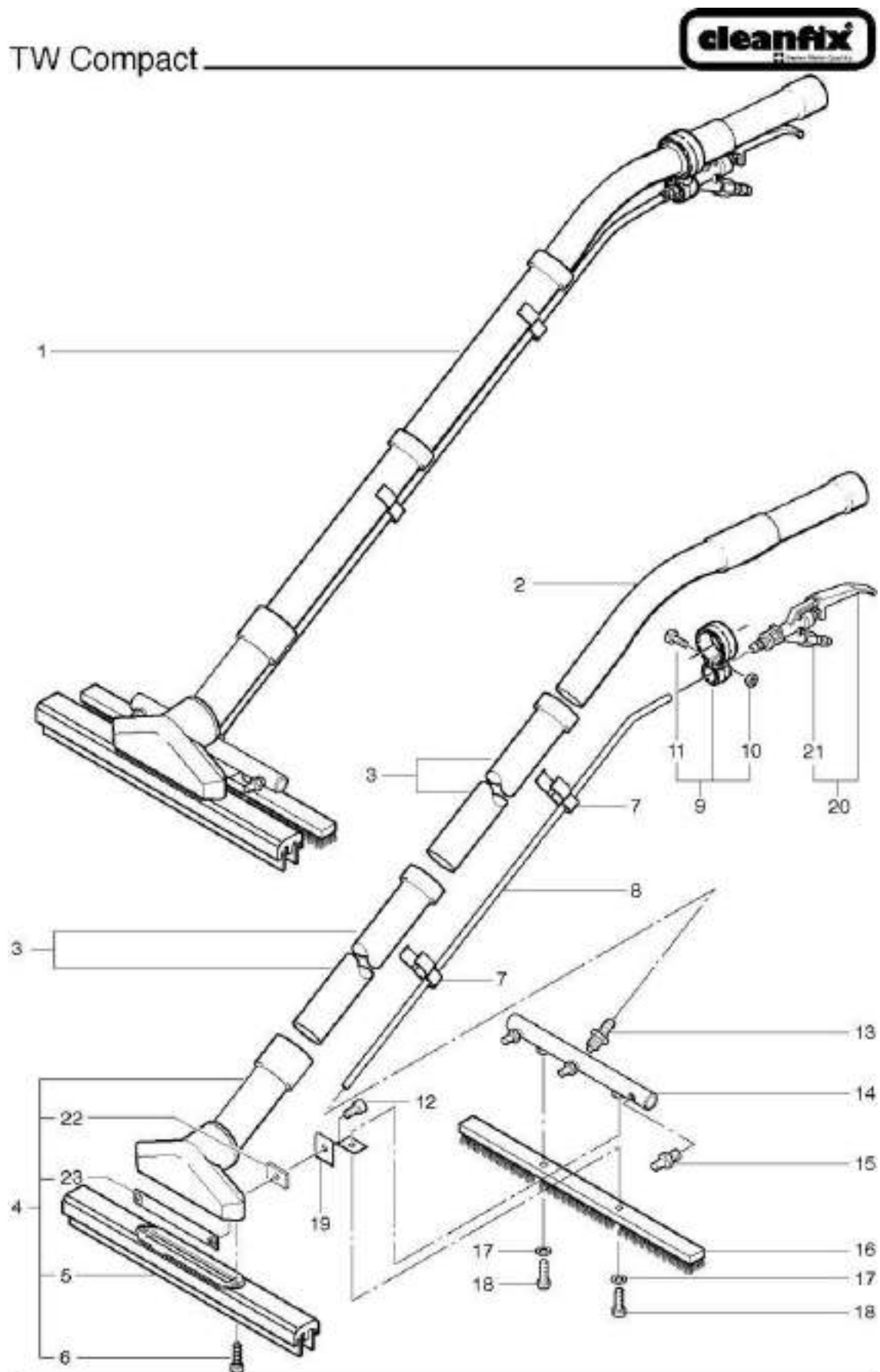
TW Compact



TW Compact

Hard floor attachment

Stand: 31.03.2017 06:50



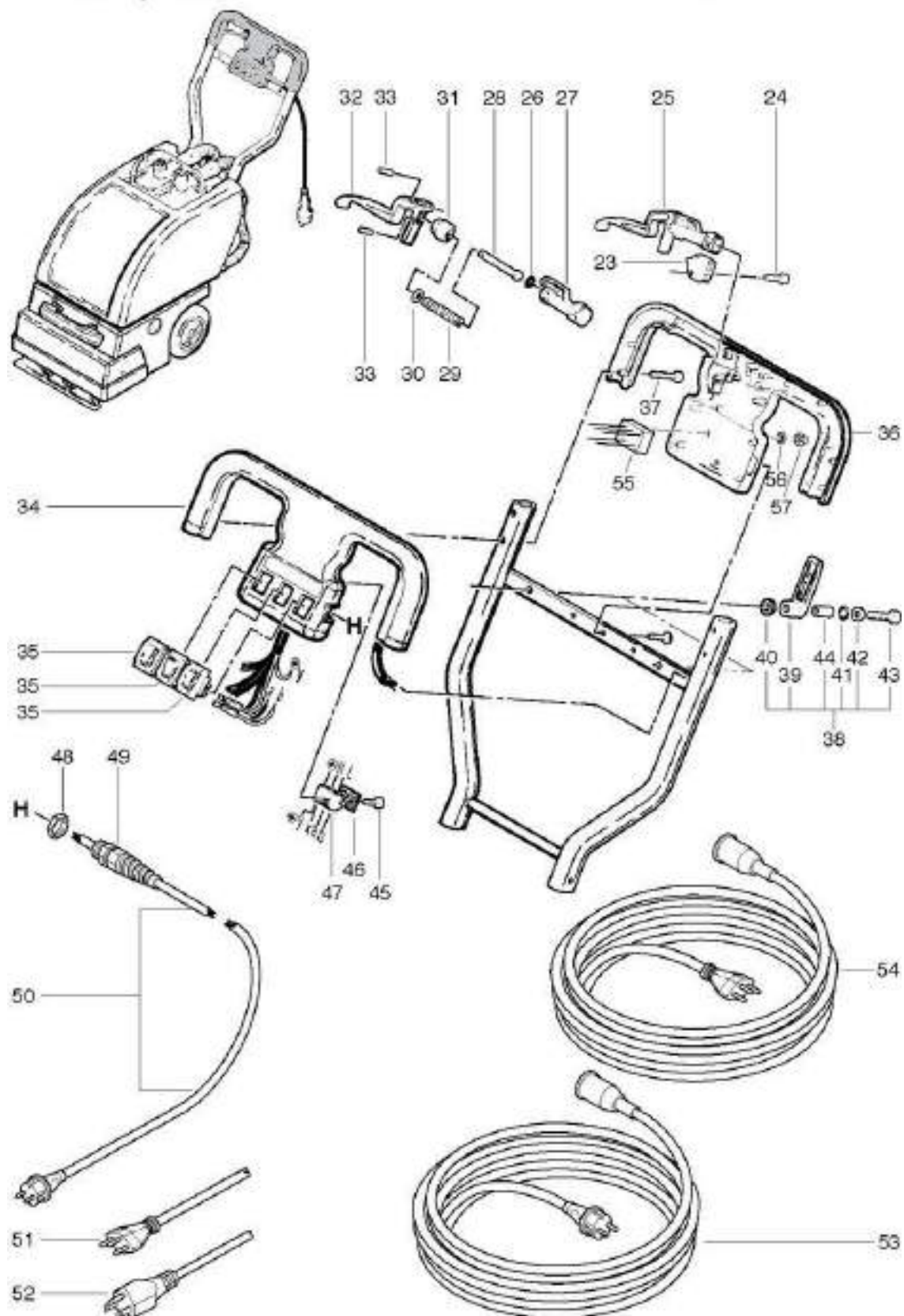
TW Compact

Lower pushbar

Stand: 31.03.2017 06:48



TW Compact

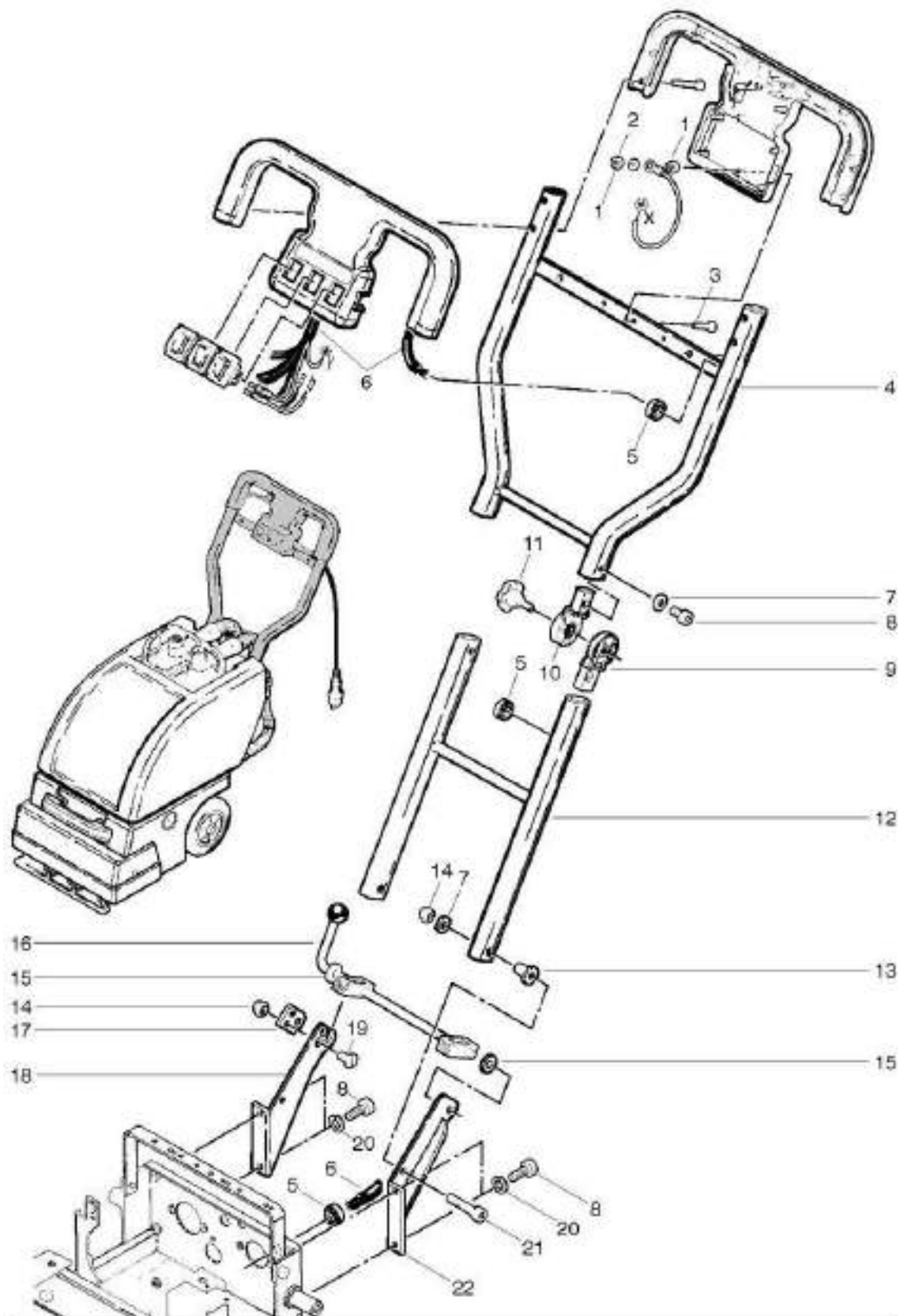


TW Compact

Lower pushbar

Stand: 31.03.2017 06:44

TW Compact



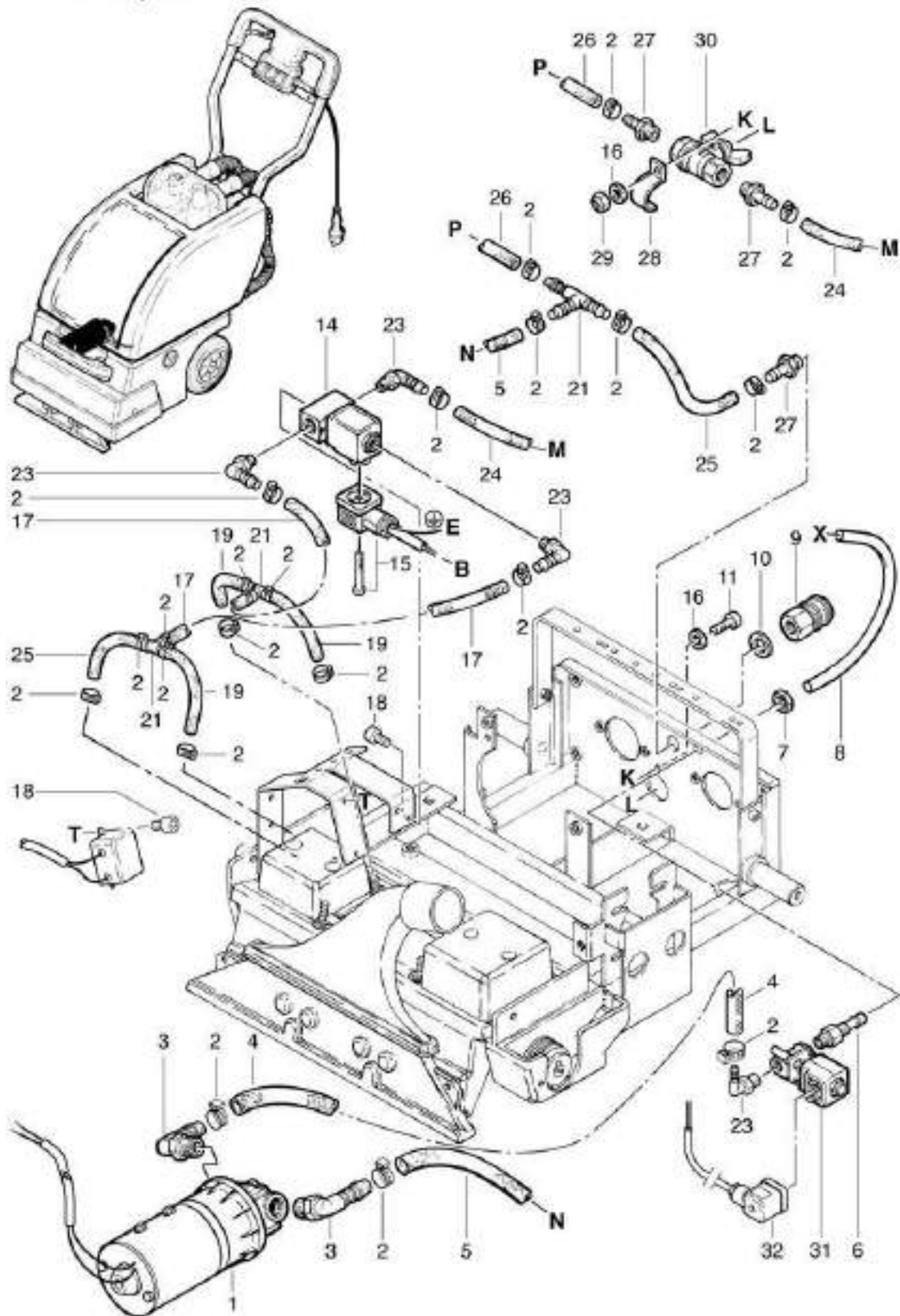
TW Compact

Pump assembling and hoses

Stand: 31.03.2017 06:43



TW Compact

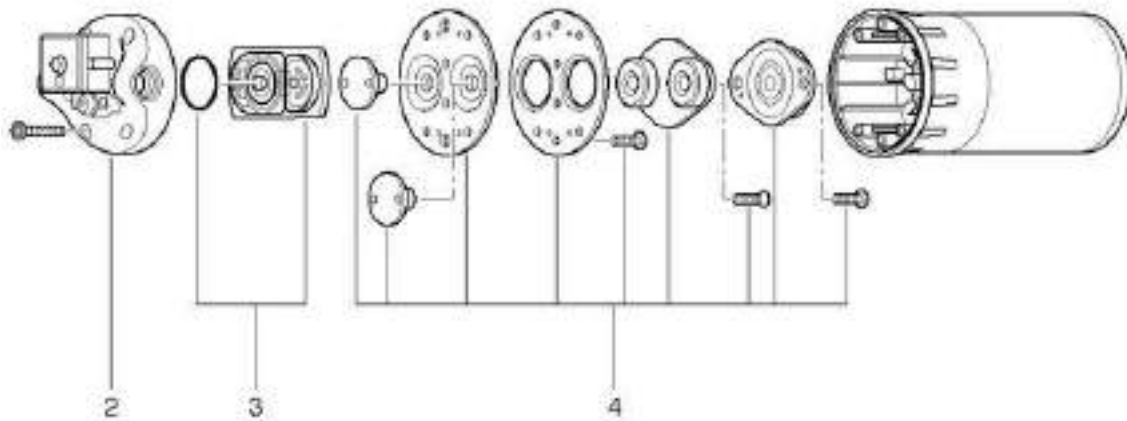
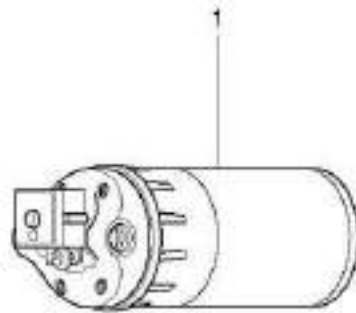


TW Compact

Pump

Stand: 31.03.2017 06:44

TW Compact



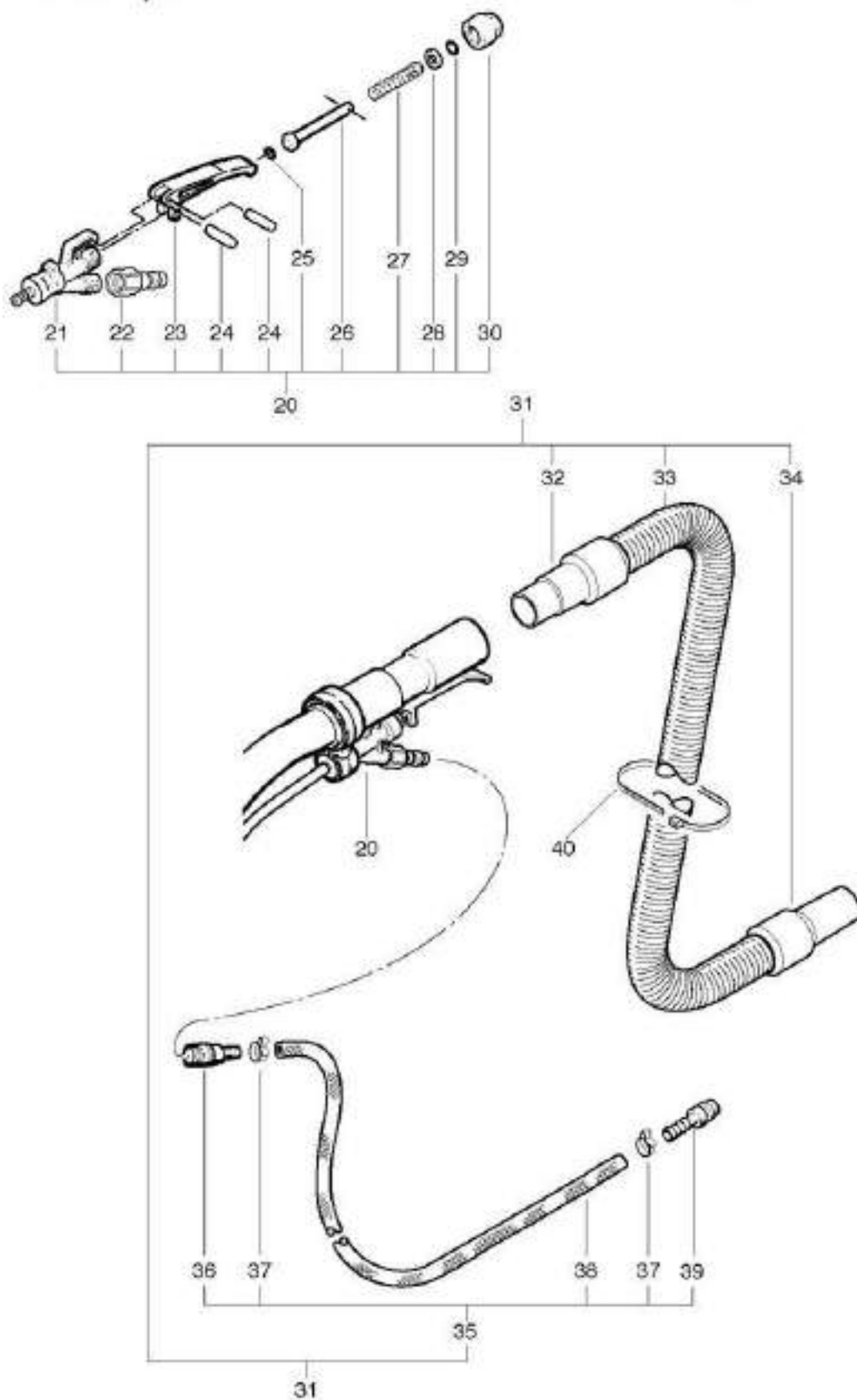
TW Compact

Spray and suction hose

Stand: 31.03.2017 06:47



TW Compact

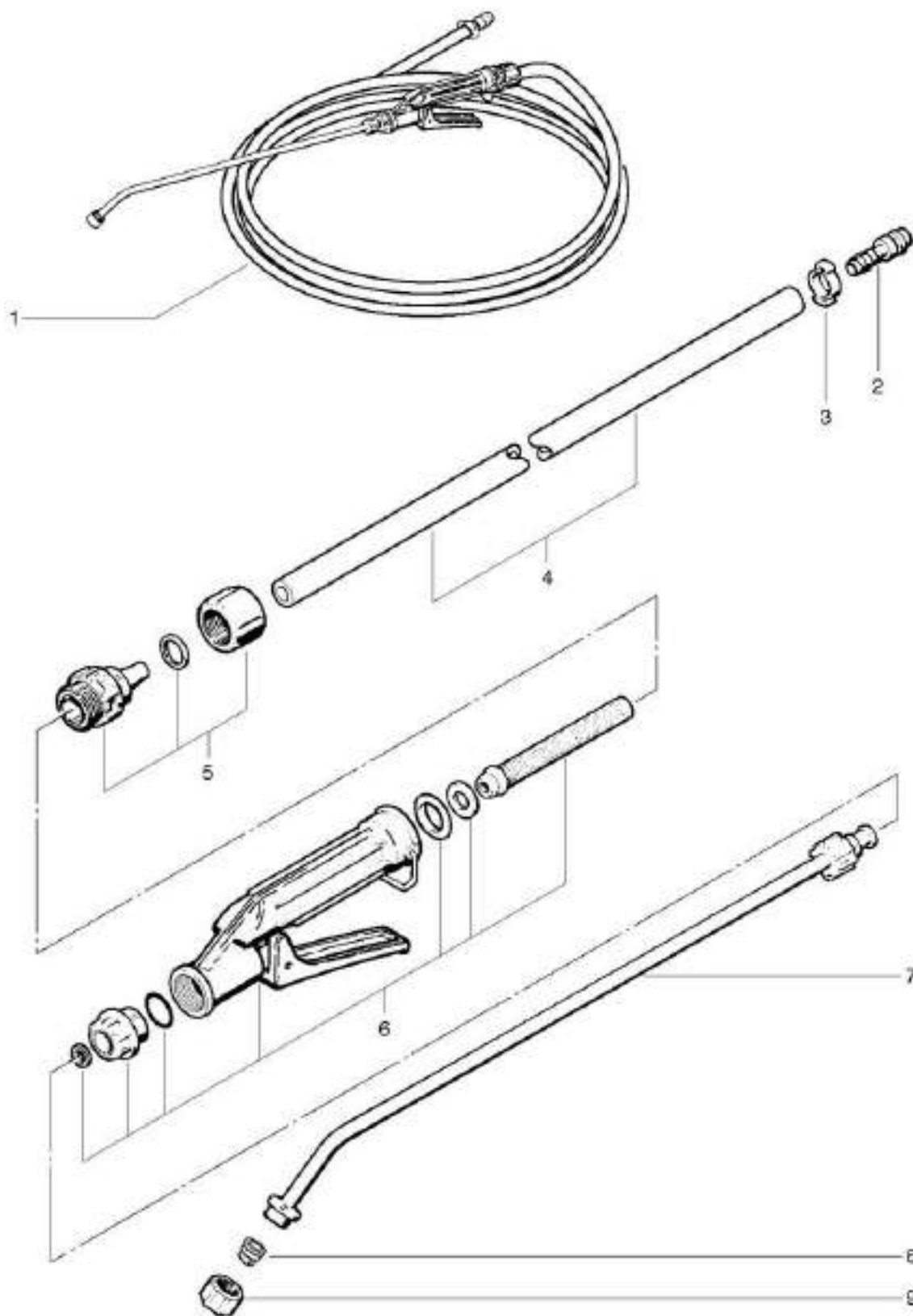


TW Compact

Spray nozzle with hose

Stand: 31.03.2017 06:51

TW Compact

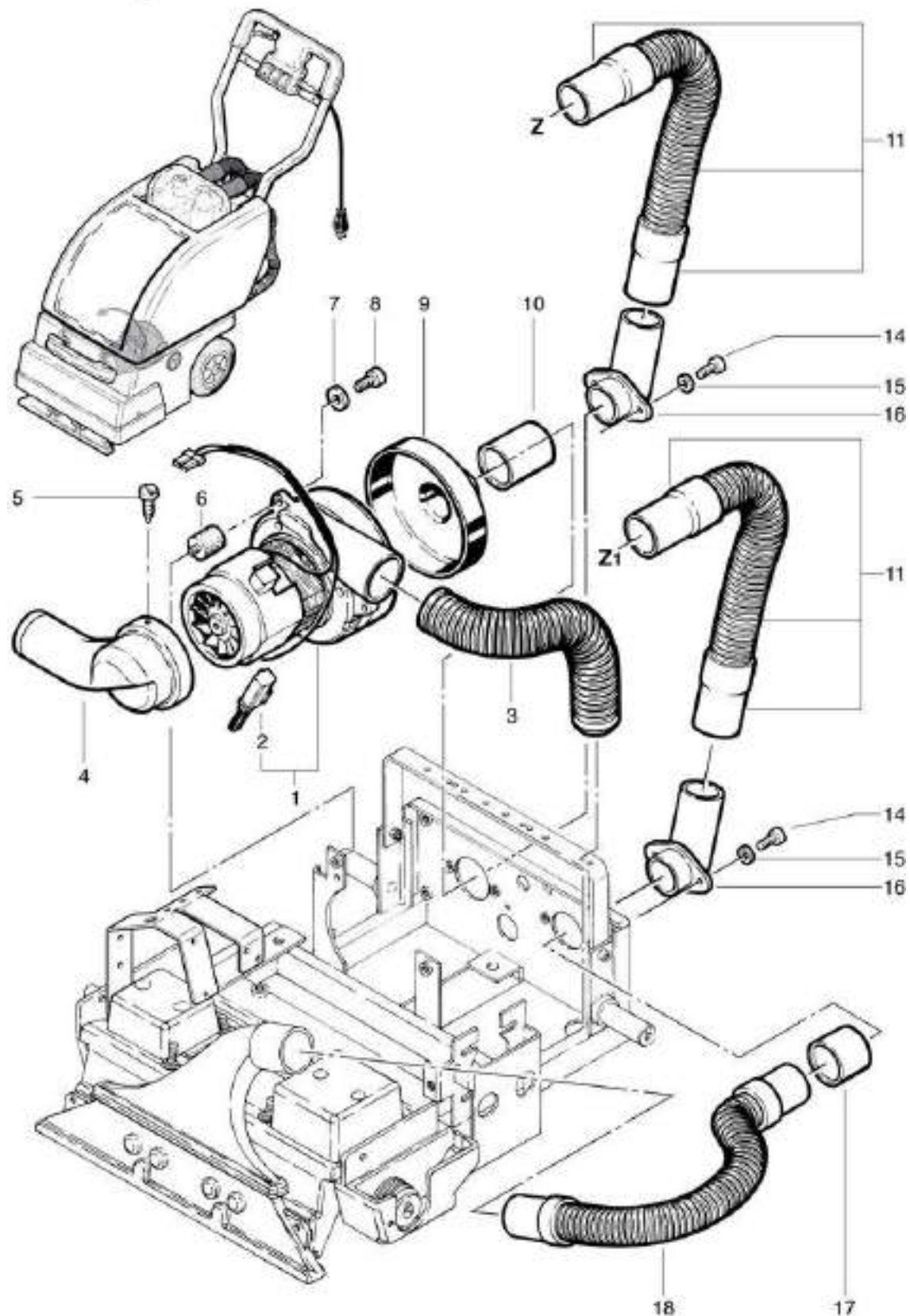


TW Compact

Suction motor and hoses

Stand: 31.03.2017 06:44

TW Compact



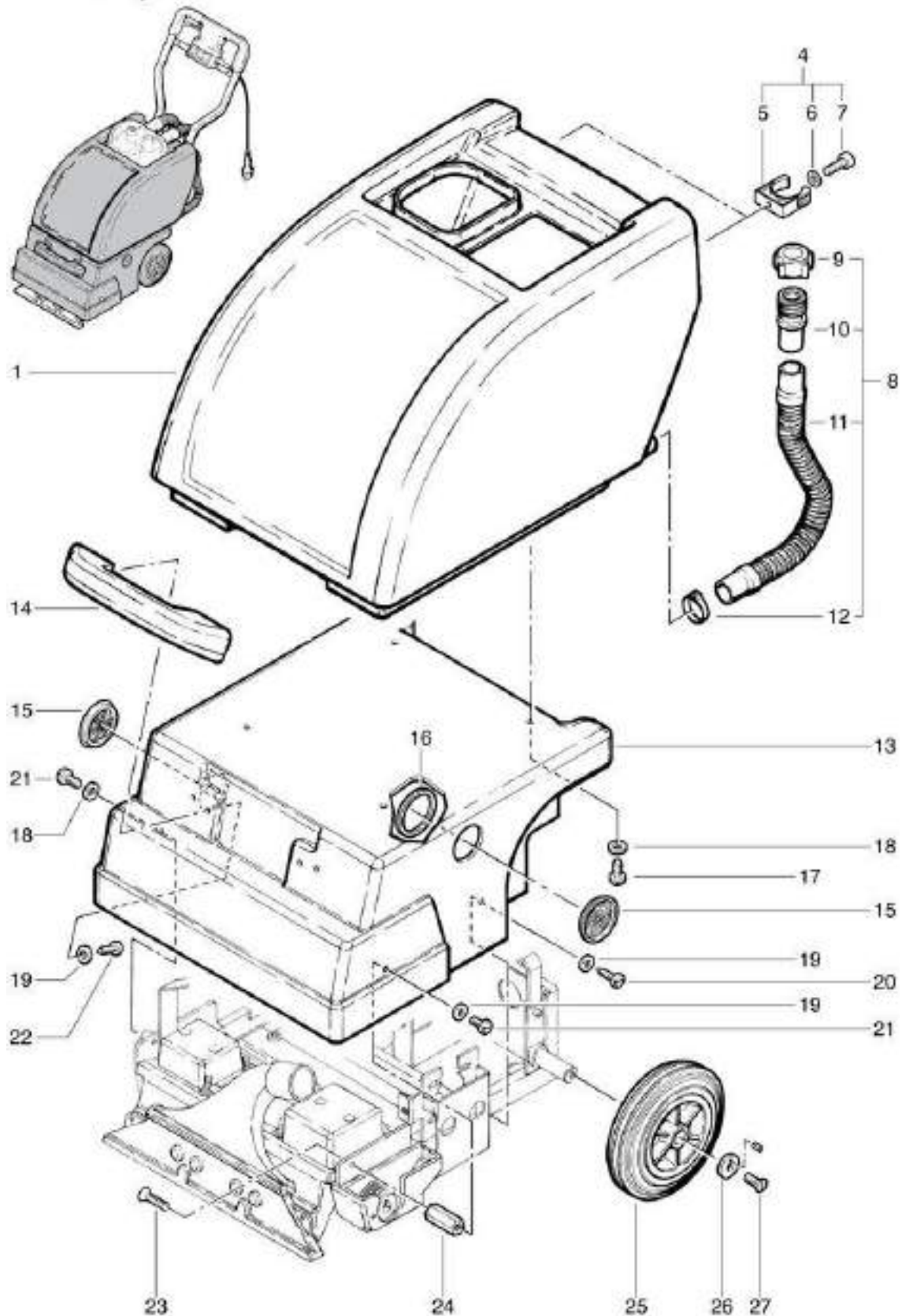
TW Compact

Tank and chassis cover

Stand: 31.03.2017 06:43



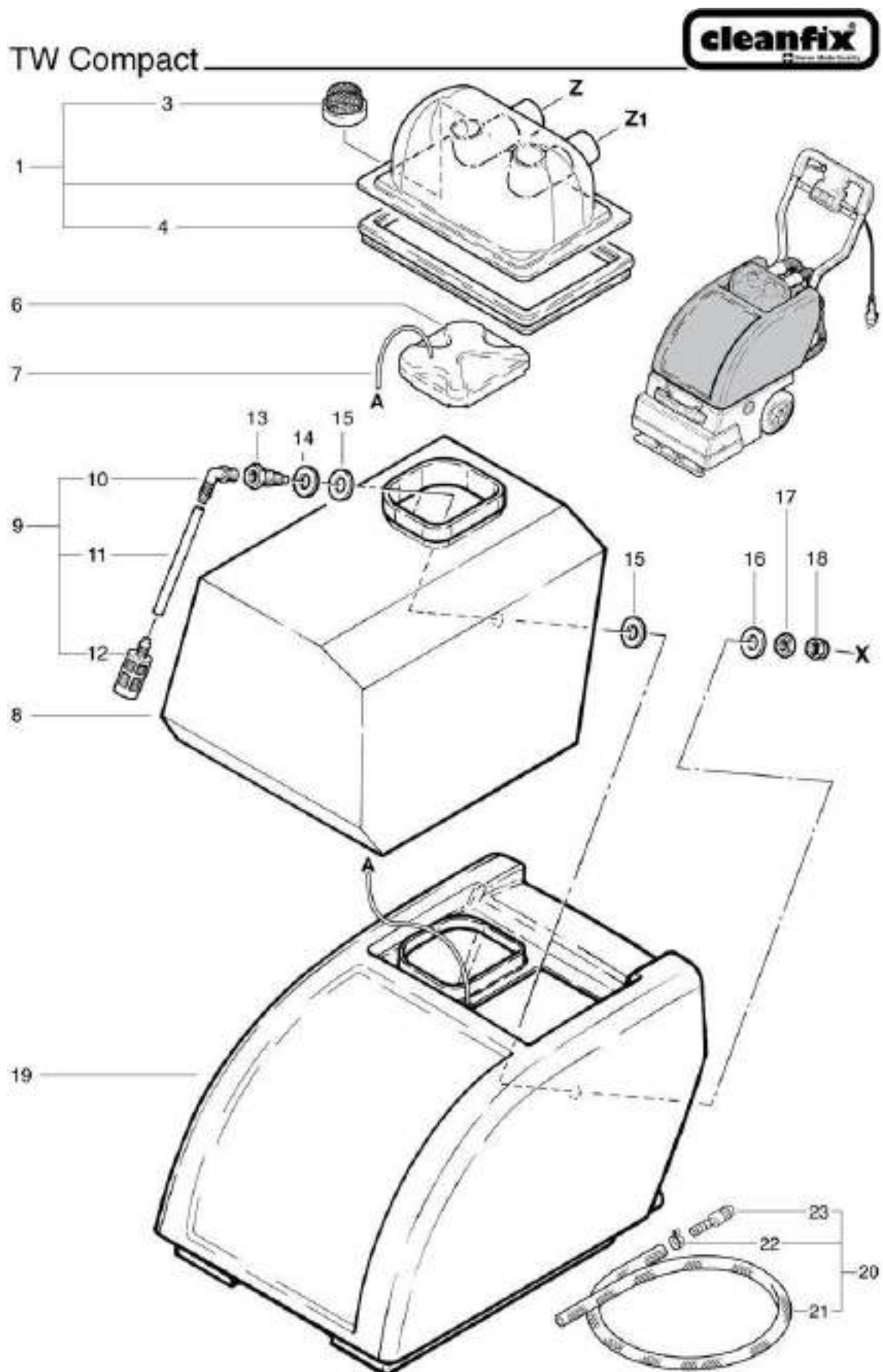
TW Compact



TW Compact

Tank cover and fresh water tank

Stand: 31.03.2017 06:42

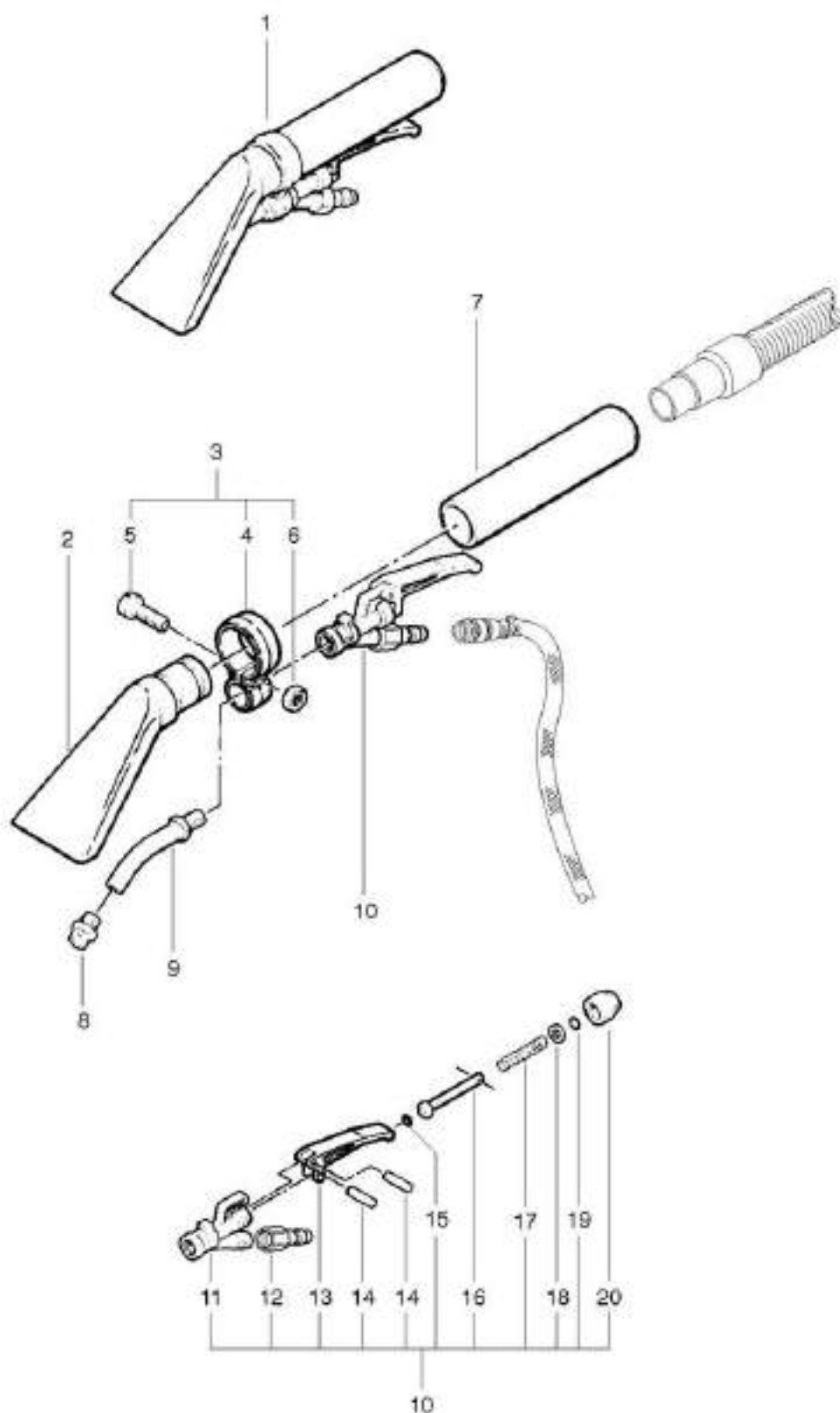


TW Compact

Upholstery tool

Stand: 31.03.2017 06:51

TW Compact

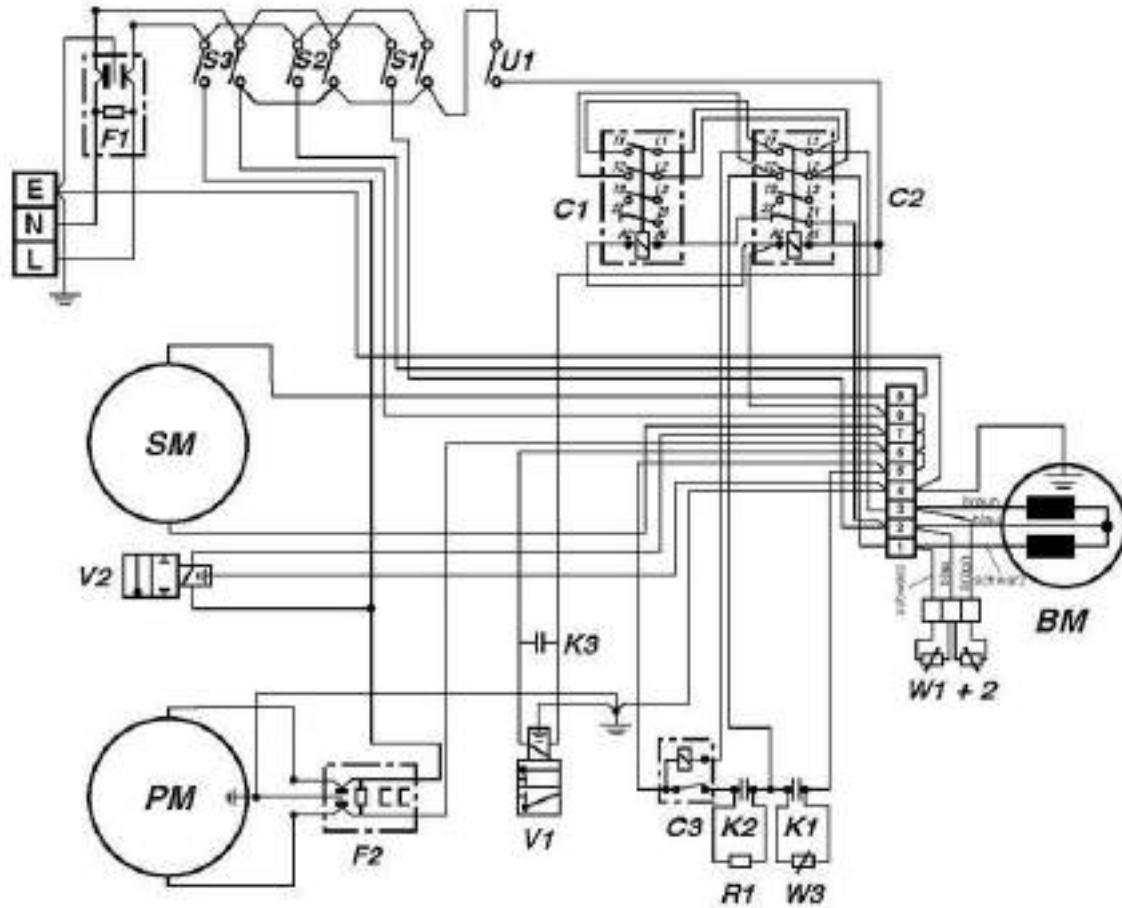


TW Compact

Wiring diagram

Stand: 31.03.2017 06:46

TW Compact



- S1 = Wippenschalter Bürstenmotor / Brush motor switch
- S2 = Wippenschalter Saugmotor / Suction motor switch
- S3 = Wippenschalter Pumpe / Pump switch
- C1 = Leistungsschütz Bürstenmotor / Switch for reversing brush motor
- C2 = Leistungsschütz Bürstenmotor / Switch for reversing brush motor
- C3 = Relais
- K1 = Betriebs-Kondensator 12 uF / Capacitor for working brush motor 12 uF
- K2 = Anlauf-Kondensator 20 uF / Capacitor for starting brush motor 20 uF
- K3 = Kondensator 0,33 uF / Capacitor 0,33 uF
- BM = Bürstenmotor / Brush motor
- PM = Pumpenmotor / Pump
- SM = Saugmotor / Suction motor
- V1 = 3/2 Wege-Ventil / Valve 3/2
- V2 = 2/2 Wege-Ventil / Valve 2/2
- U1 = Steuerschalter Bürstenmotor / Reversing-switch
- F1 = FE-Filter Eingang
- F2 = FE-Filter Pumpe
- W1+2 = Varistor S20 K275
- W3 = Varistor S20 K320
- R1 = Drahtwiderstand 30 kOhm/7W