

R 53-1100 / Ultra High-Speed

Contents

Stand: 31.03.2017 17:04



R 53-1100

Stieloberteil
Partie supérieure en avant
Top part front side
B 7 / ST 7

Sprühgerät
Vaporisateur
Spray unit
B 8 / ST 8

Stromlaufplan
Diagramme électrique
Wiring diagram
B 9 / ST 9 - bis, à des, up to Masch.Nr.8239
B 10/ST 10 - ab, à partir, as from mach.no.8240

Absaugung kompl.
Anneau d'aspiration compl.
Vacuum complete
B 11 / ST 11

Motor
Moteur
B 1 / ST 1

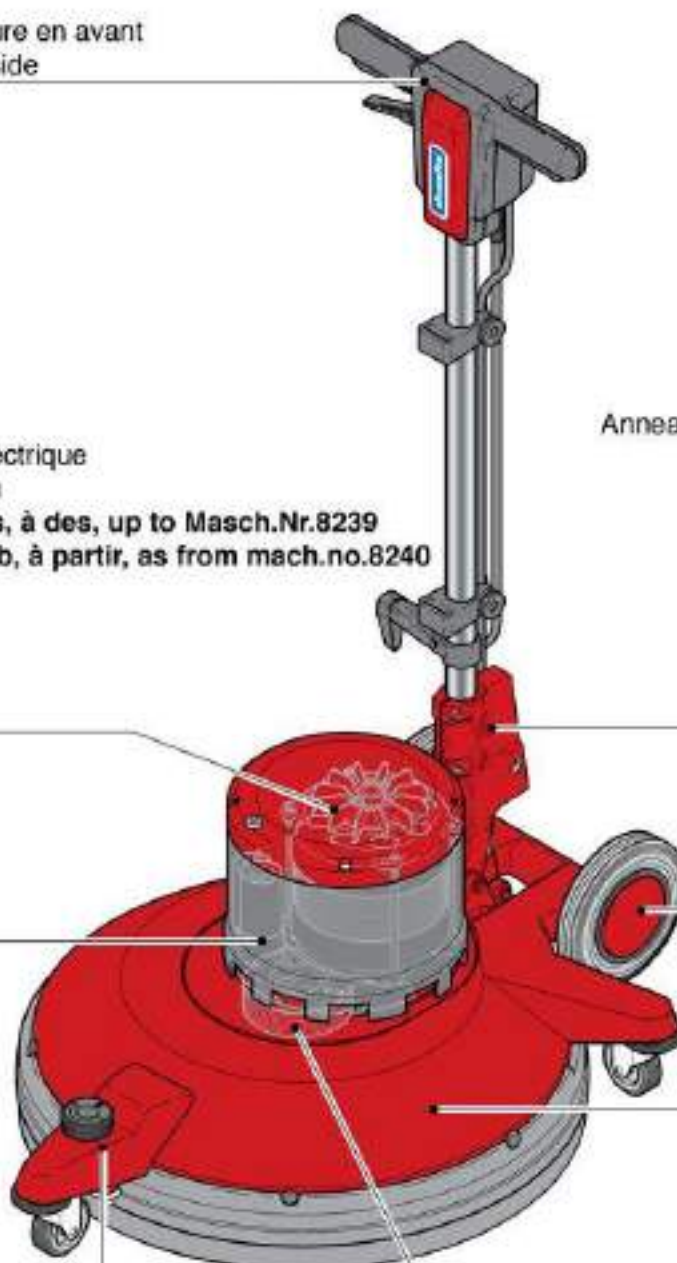
Deichselverstellung
Timon
Shaft
B 4 / ST 4

Elektronik
Electronique
Electronic
B 3 / ST 3

Gehäuse und
Fahrwerk
Carter et train de
transport
Housing and
drive axle
B 5 / ST 5

Höhenverstellung und
Pad-Antriebsscheibe
Reglage de hauteur et
plateau d'entraînement
Height adjustment and
pad holder
B 6 / ST 6

Antrieb
Transmission
Drive
B 2 / ST 2

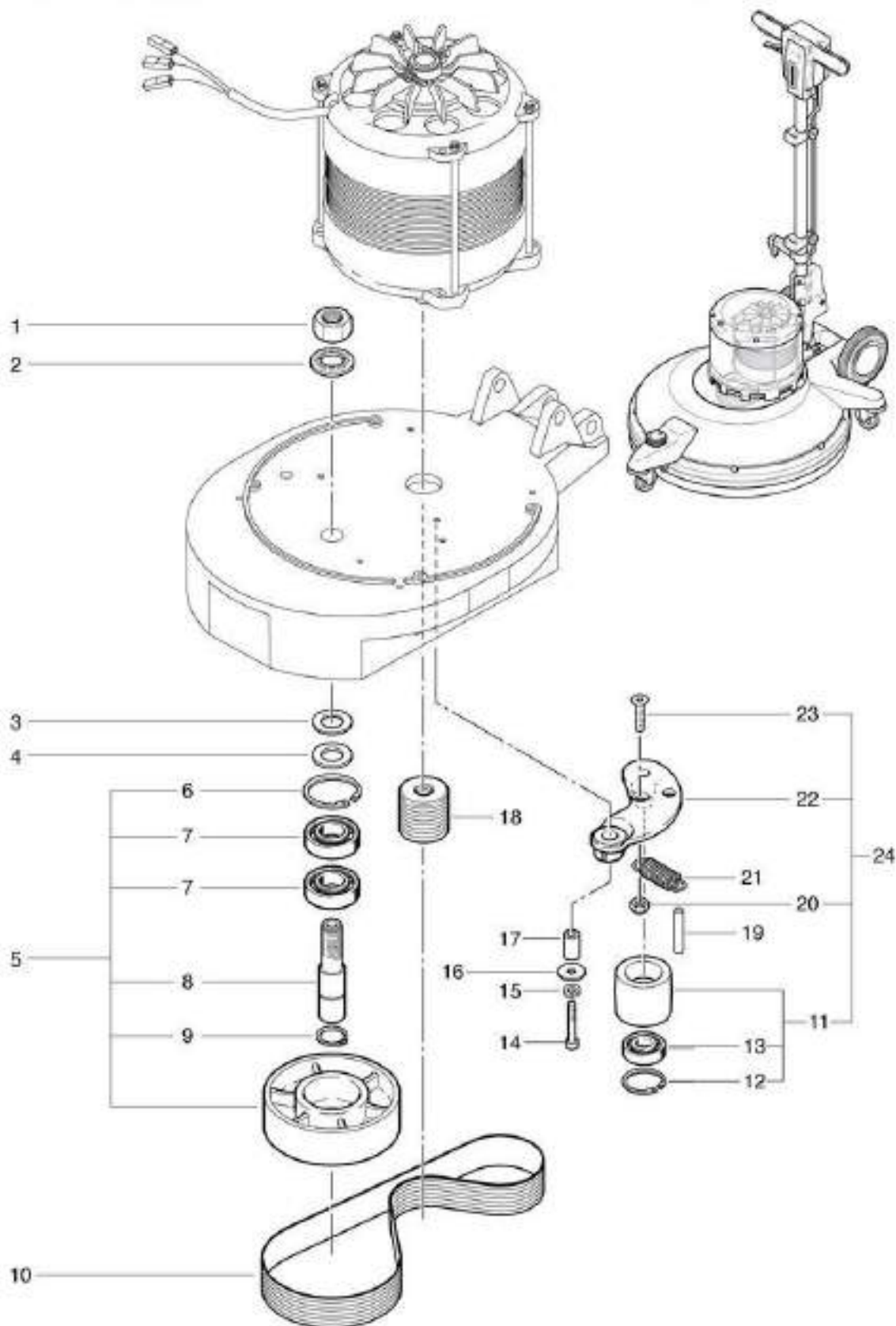


R 53-1100 / Ultra High-Speed

Drive

Stand: 31.03.2017 17:05

R 53-1100/1500



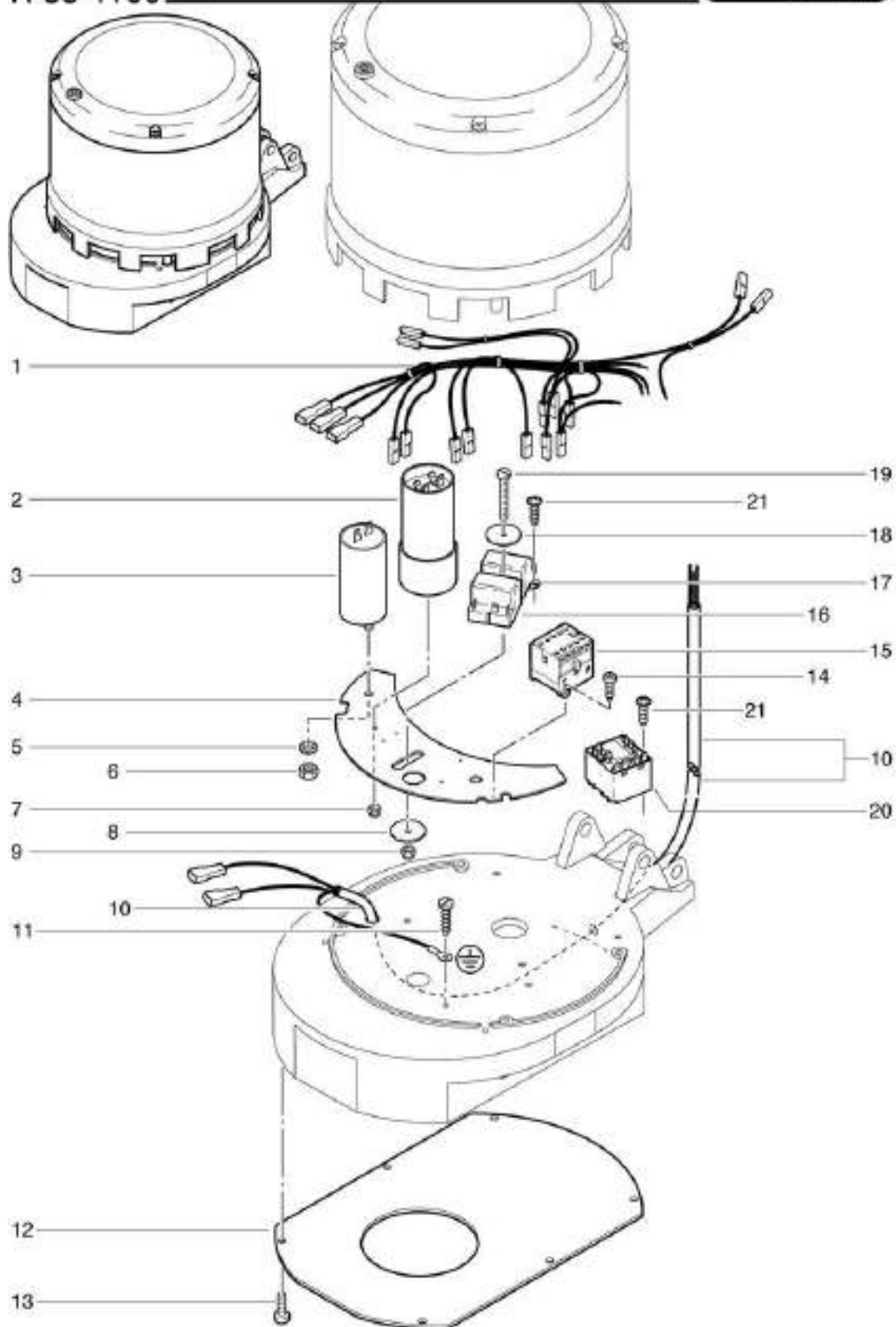
R 53-1100 / Ultra High-Speed

Electronic

Stand: 31.03.2017 17:05



R 53-1100

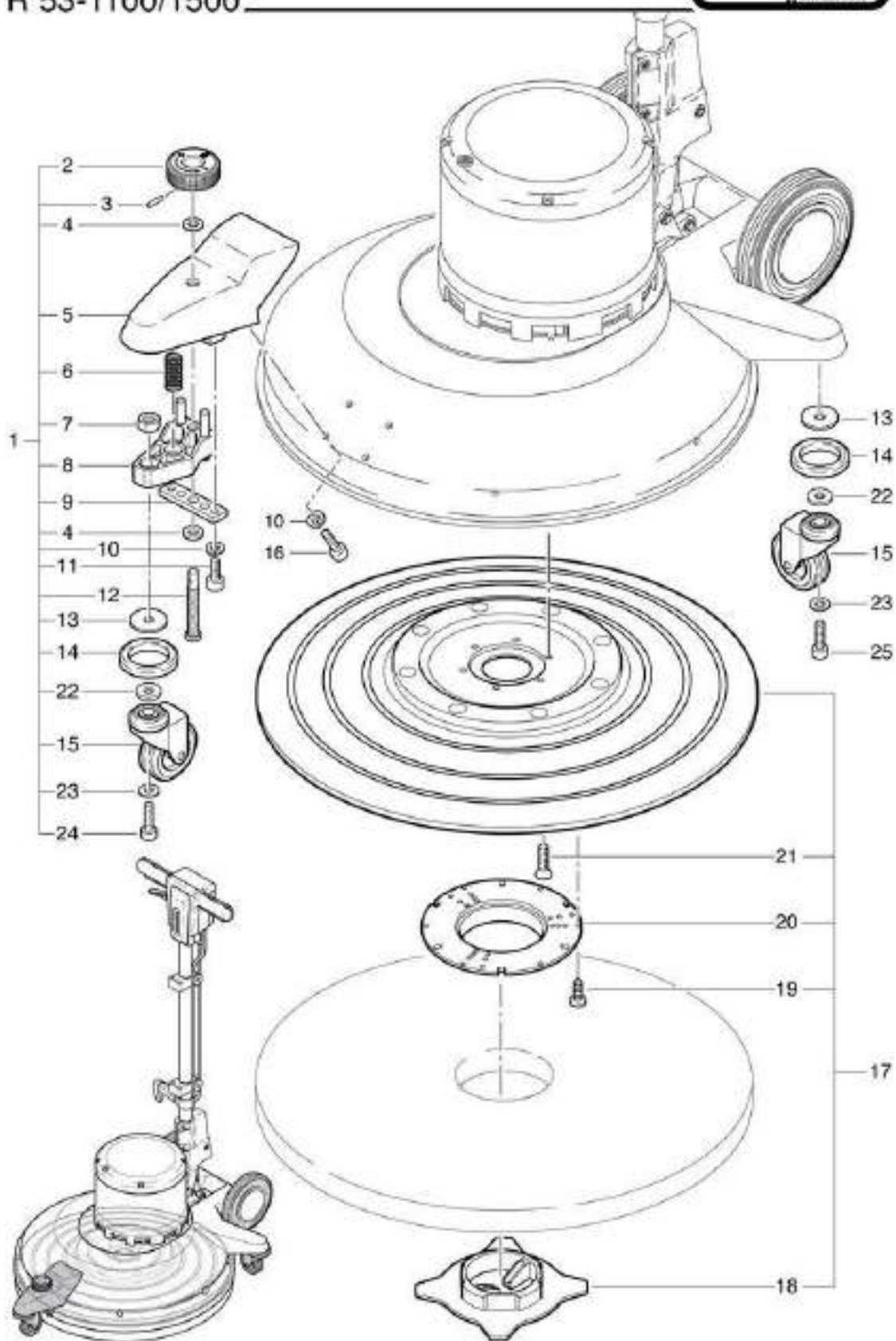


R 53-1100 / Ultra High-Speed

Height adjustment and pad holder

Stand: 31.03.2017 17:05

R 53-1100/1500

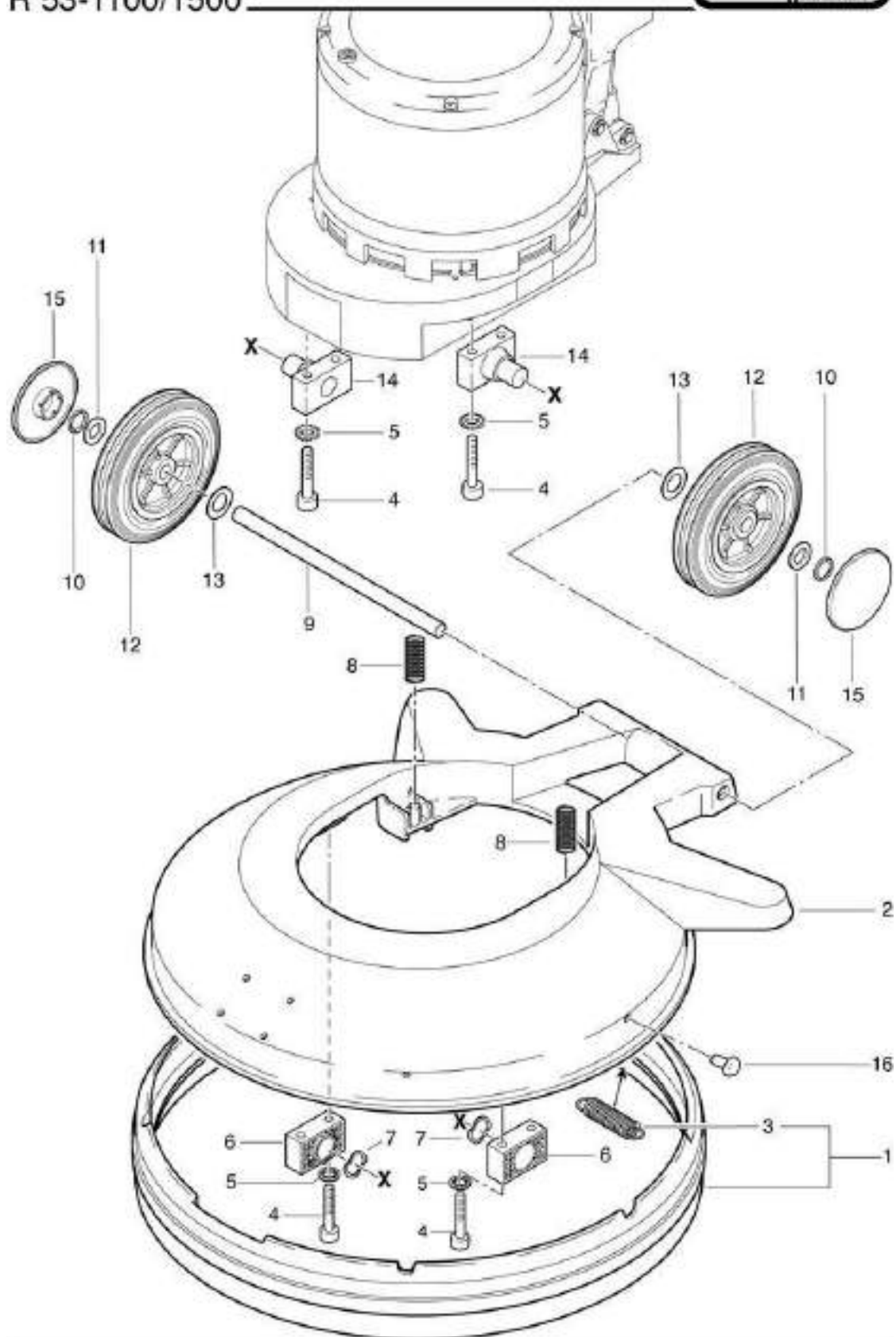


R 53-1100 / Ultra High-Speed

Housing and drive axle

Stand: 31.03.2017 17:05

R 53-1100/1500



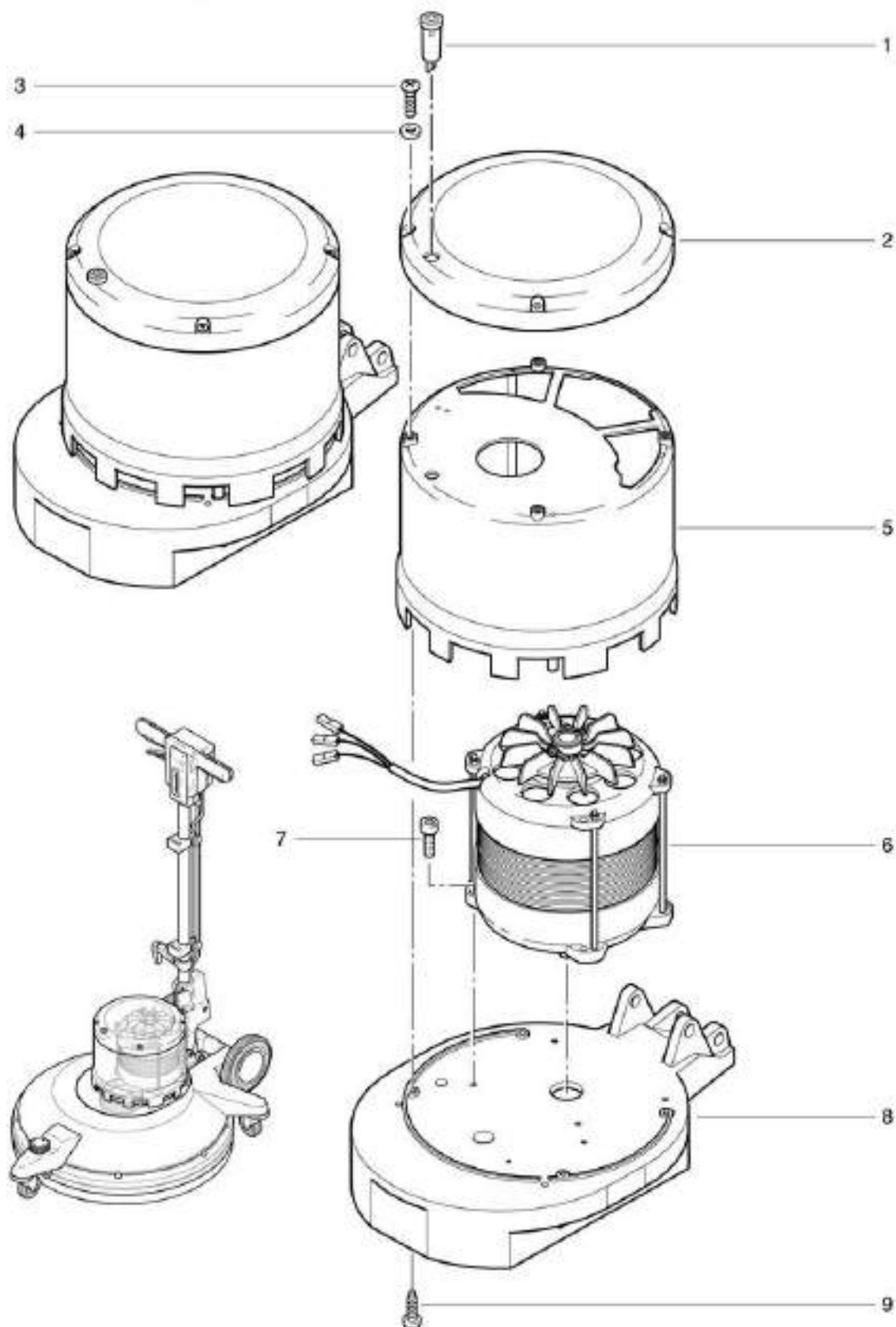
R 53-1100 / Ultra High-Speed

Motor

Stand: 31.03.2017 17:04



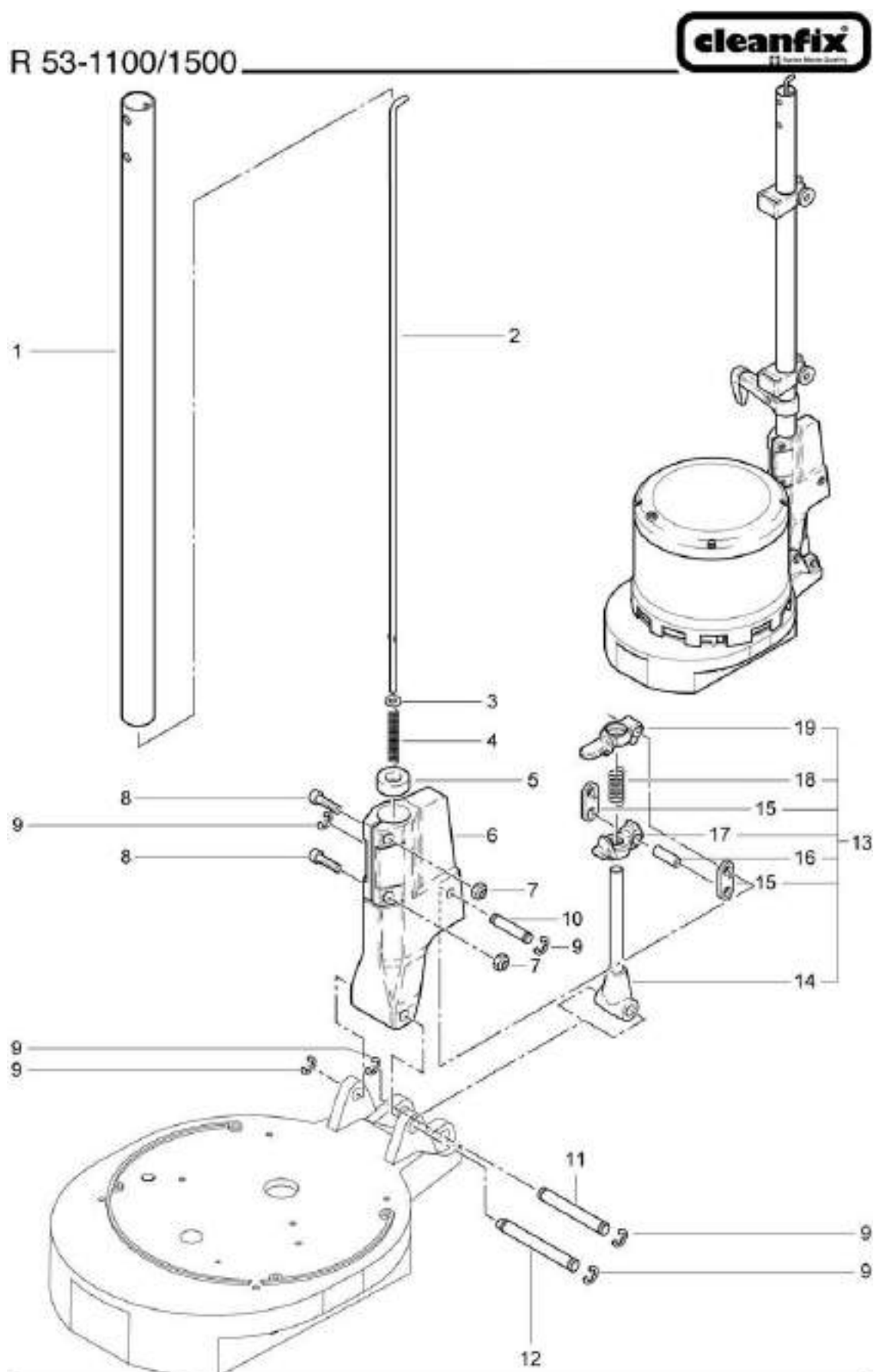
R 53-1100/1500



R 53-1100 / Ultra High-Speed

Shaft

Stand: 31.03.2017 17:05

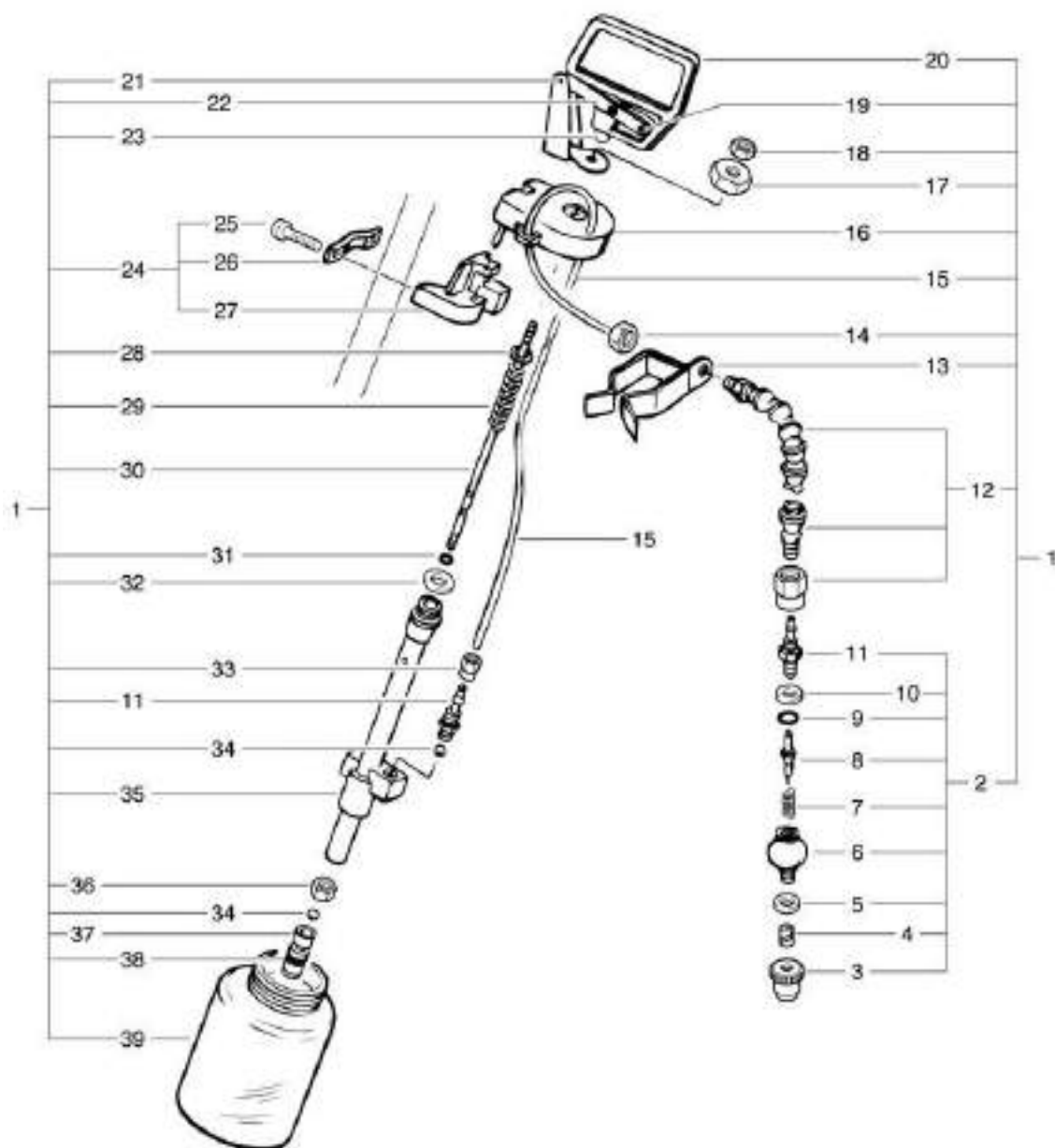


R 53-1100 / Ultra High-Speed

Spray unit

Stand: 31.03.2017 17:06

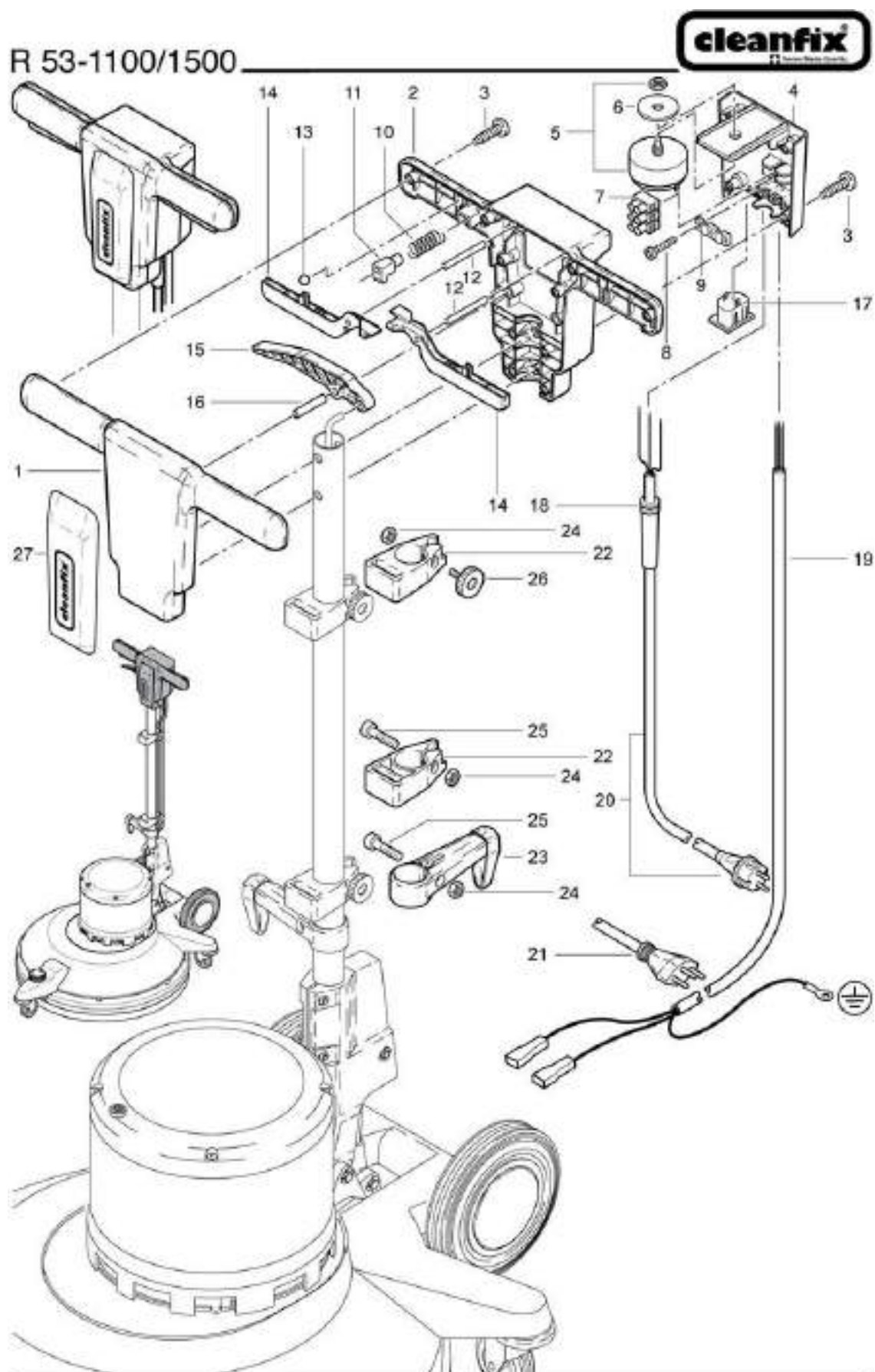
R 53-1100/1500



R 53-1100 / Ultra High-Speed

Top part front side

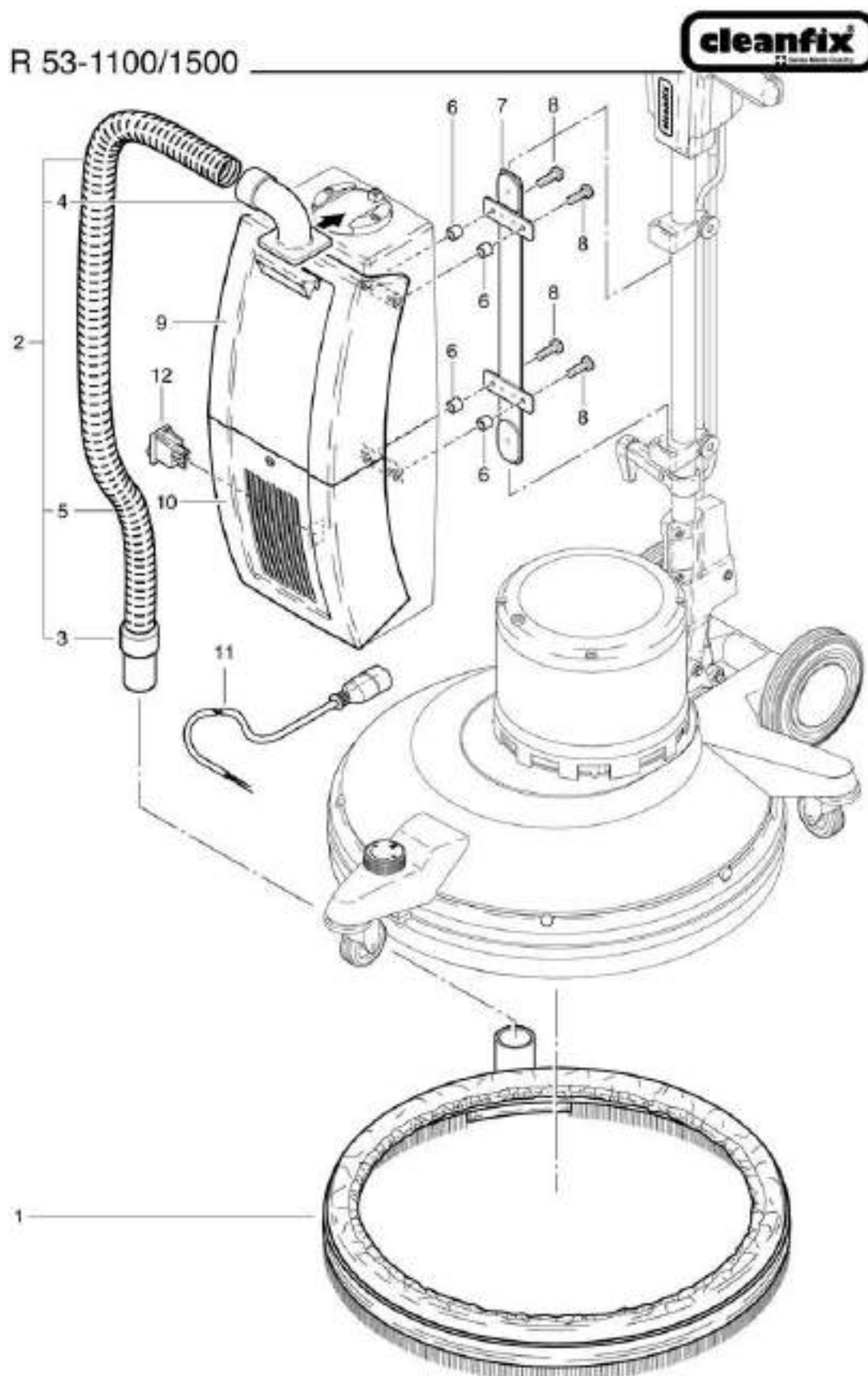
Stand: 31.03.2017 17:05



R 53-1100 / Ultra High-Speed

Vacuum complete

Stand: 31.03.2017 17:07



R 53-1100 - Ultra High-Speed - Absaugung / Anneau d'aspiration compl. / Vacuum complete
R 53-1500 - Ultra High-Speed - Absaugung / Anneau d'aspiration compl. / Vacuum complete

B 11-12.2007
B 10-12.2007

R 53-1100 / Ultra High-Speed

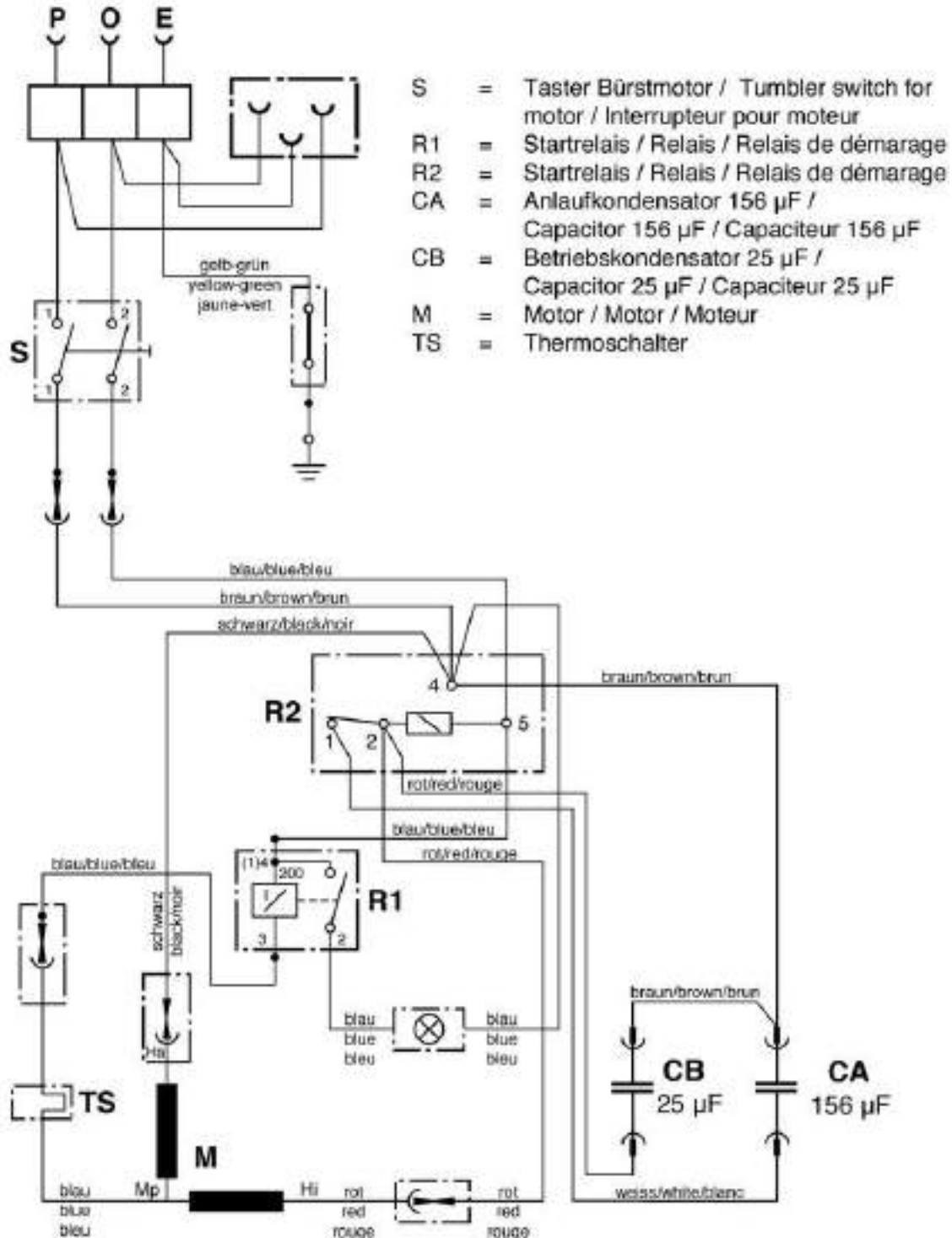
Wiring diagram as from machine no. 8240

Stand: 31.03.2017 17:06



R 53-1100

Stromlaufplan R 43 / R 53-1100 230-240V / 50 Hz ab Masch. Nr. 8240



R 53-1100 / Ultra High-Speed

Wiring diagram up to machine no. 8239

Stand: 31.03.2017 17:06

R 53-1100



Stromlaufplan R 43 / R 53-1100 230-240V / 50 Hz bis Masch. Nr. 8239

